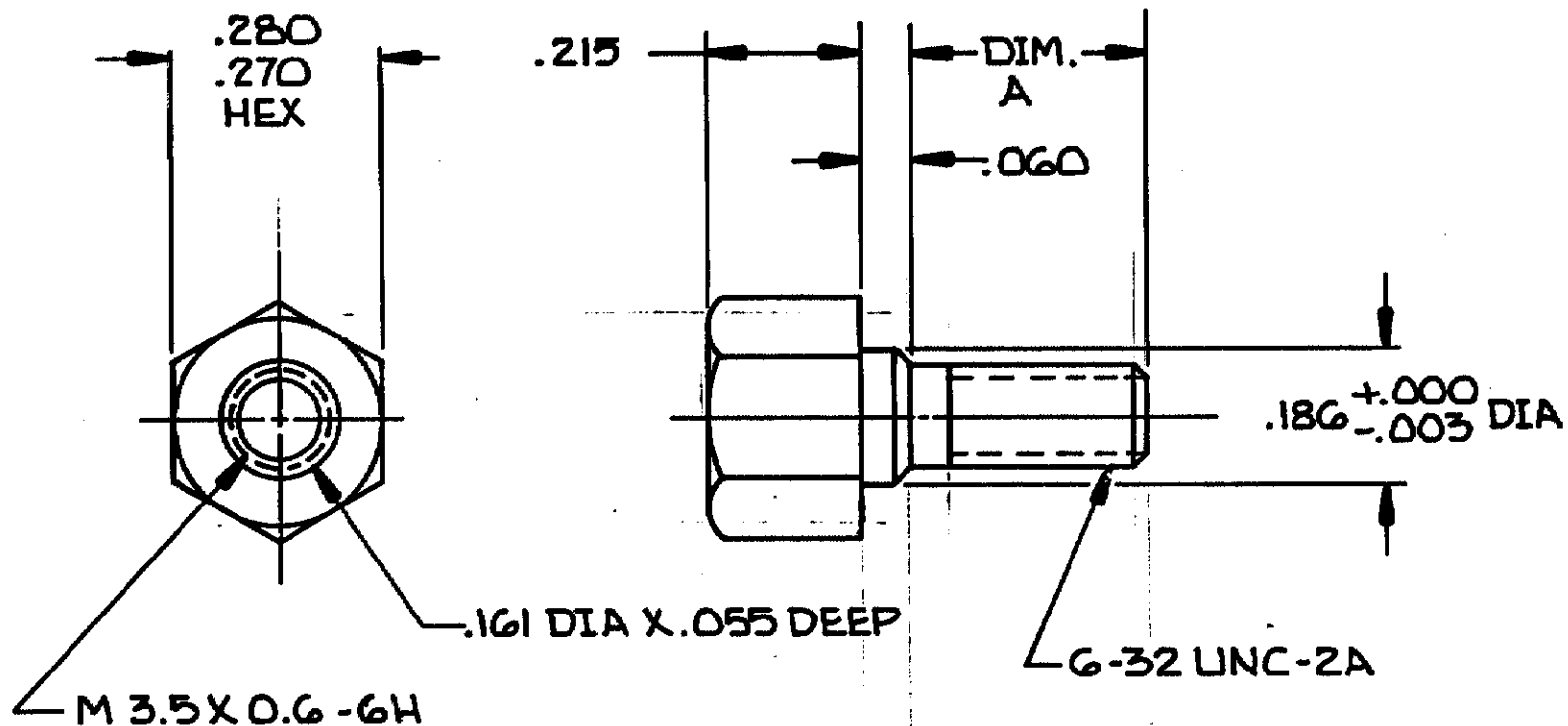


THIS DRAWING IS UNPUBLISHED. RELEASED FOR PUBLICATION

© COPYRIGHT 19 BY AMP INCORPORATED, HARRISBURG, PA. ALL INTERNATIONAL RIGHTS RESERVED. AMP PRODUCTS MAY BE COVERED BY U.S. AND FOREIGN PATENTS AND/OR PATENTS PENDING.

REVISIONS						
P	F	ZONE	LTR	DESCRIPTION	DATE	APPROVED
✓		A		ADD:-3; NPR C92-145	6-12-92	LH5 #7



1. ALL DIMENSIONS SHOWN ARE MAXIMUM UNLESS OTHERWISE SPECIFIED.
2. MATERIAL: BLACK OXIDE COATED CARBON STEEL.
3. PARTS COATED WITH AMP APPROVED CORROSION PREVENTATIVE.
4. PACKAGED 10.000 PER BOX.
5. PACKAGED 500 STANDOFFS PER BAG.

5	.320	554043-3
4	.205	554043-2
	.320	554043-1
PACKAGED	DIM. A	PART NO

UNLESS OTHERWISE SPECIFIED DIMENSIONS ARE IN INCHES. TOLERANCES ON: DECIMALS ± = ANGLES ± =	CONTRACT NO		AMP AMP INCORPORATED Harrisburg, Pa.	
	DR. <i>DB</i> 5-17-88			
MATERIAL	CHK <i>8. Panty</i> 6/3/88		NAME STANDOFF, MOUNTING STUD, HEX HEAD, CHAMP®	
	APPD <i>Q. Trammell</i> 6/3/88		SIZE B	
FINISH	APPD <i>W. Johnson</i> 6-3-88		FSCM NO	DRAWING NO
	DSGN APPD		00779	554043
OTHER APPD		SCALE 4:1	SHEET 1 OF 1	