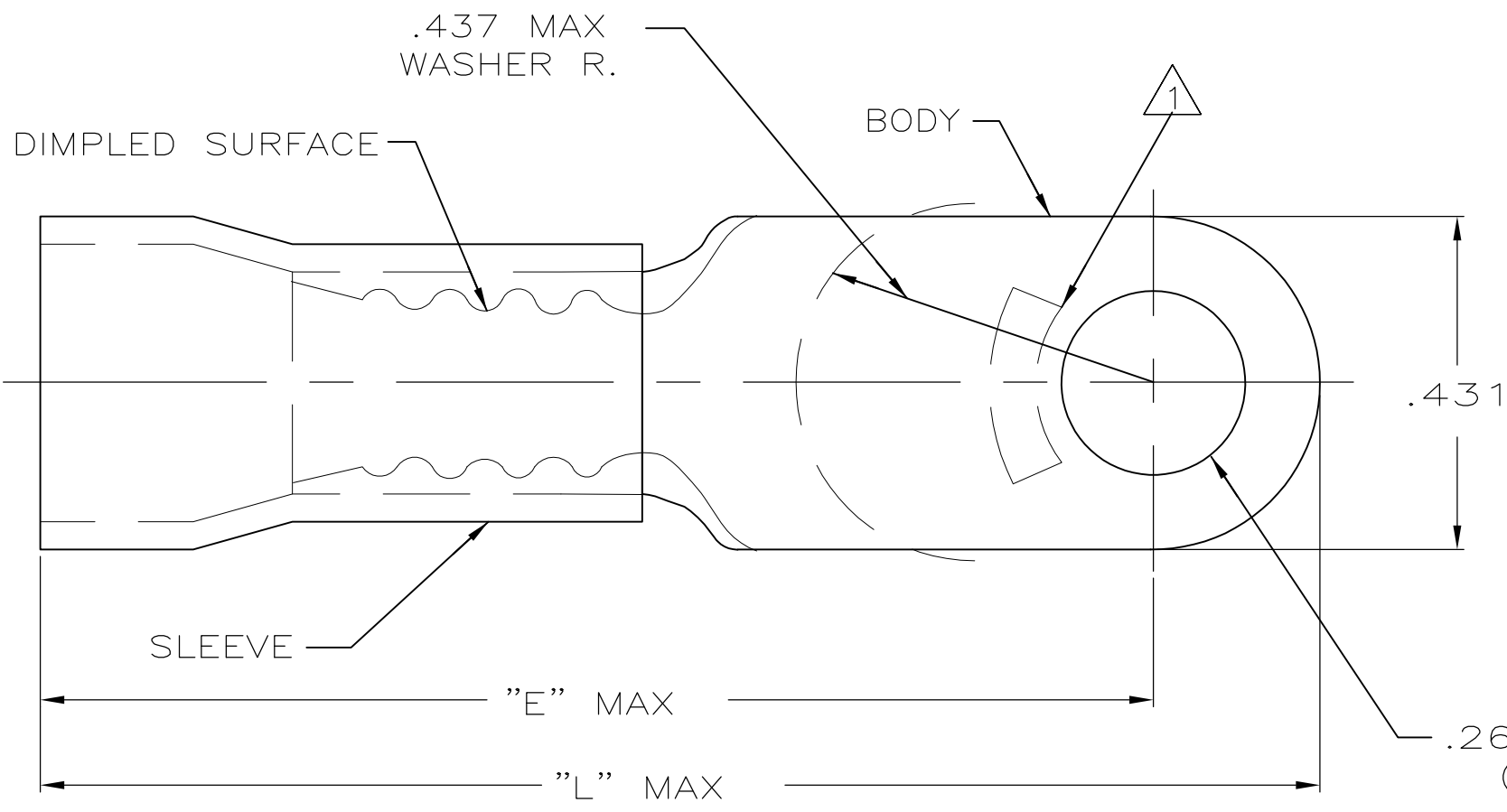


THIS DRAWING IS UNPUBLISHED. RELEASED FOR PUBLICATION
 © COPYRIGHT BY TYCO ELECTRONICS CORPORATION. ALL INTERNATIONAL RIGHTS RESERVED.

LOC	DIST	REVISIONS					
G	14	P	LTR	DESCRIPTION	DATE	DWN	APVD
		H		REV PER ECR 09-005597	02APR09	JR	TM



AMP WIRE RANGE	FILE E13288	LR7189 Certified
8 AWG STRANDED	8 AWG STRANDED	8 AWG STRANDED

- NOTE:
- 1 STAMP AMP 8* LOCATE APPROX AS SHOWN
 - 2. TONGUE MATERIAL THK .040±.003
 - 3. TAPE ITEMS ARE ON 1.200 CENTERS
 - 4 COPPER PER ASTM B-152, PVC, COLOR-RED
 - 5 TIN PLATE PER ASTM B-545
 - 6 PRELIMINARY - NOT FOR PREPRODUCTION

.330	1.394	1.587	500	55621-7 ON TAPE	6 55621-8
			100	LOOSE PIECE	6 55621-7
.360	1.354	1.561	500	55621-1 ON TAPE	55621-2
			100	LOOSE PIECE	55621-1
WIRE INSULATION OD MAX	"E"	"L"	QTY	PACKAGE TYPE	PART NO

MAX RECOMMENDED OPERATING TEMPERATURE: 90°C	THIS DRAWING IS A CONTROLLED DOCUMENT.		DWN S.S. GOULDEN 10-12-93	Tyco Electronics Corporation Harrisburg, PA 17105-3608	
	VOLTAGE RATING: 600 V MAX	DIMENSIONS: INCHES	CHK R. HERSEY 10-12-93		
CIRCULAR MIL AREA: 6.64-10.54mm ² [13,100-20,800] STRANDED		TOLERANCES UNLESS OTHERWISE SPECIFIED: 0 PLC ± - 1 PLC ± - 2 PLC ± 0.20[.008] 3 PLC ± - 4 PLC ± - ANGLES ± - FINISH	PRODUCT SPEC NOT AVAILABLE		NAME TERMINAL, RING TONGUE, PLASTI-GRIP, WIRE SIZE: 8 AWG
			MATERIAL - 4	FINISH - 5	
CUSTOMER DRAWING			WEIGHT -	SIZE A3	CAGE CODE 00779
			DRAWING NO G-55621		SCALE NTS
			SHEET 1 OF 1		REV H