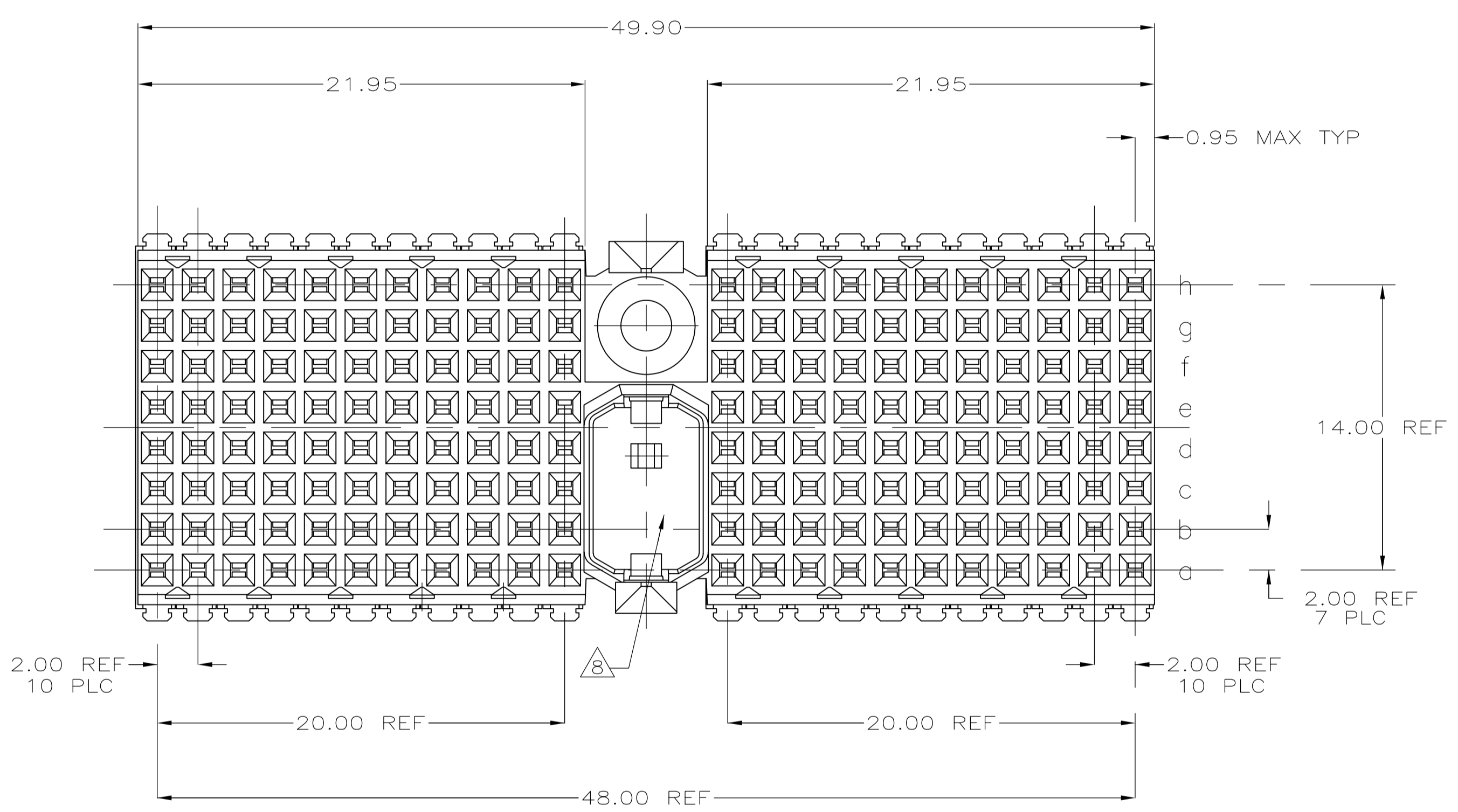
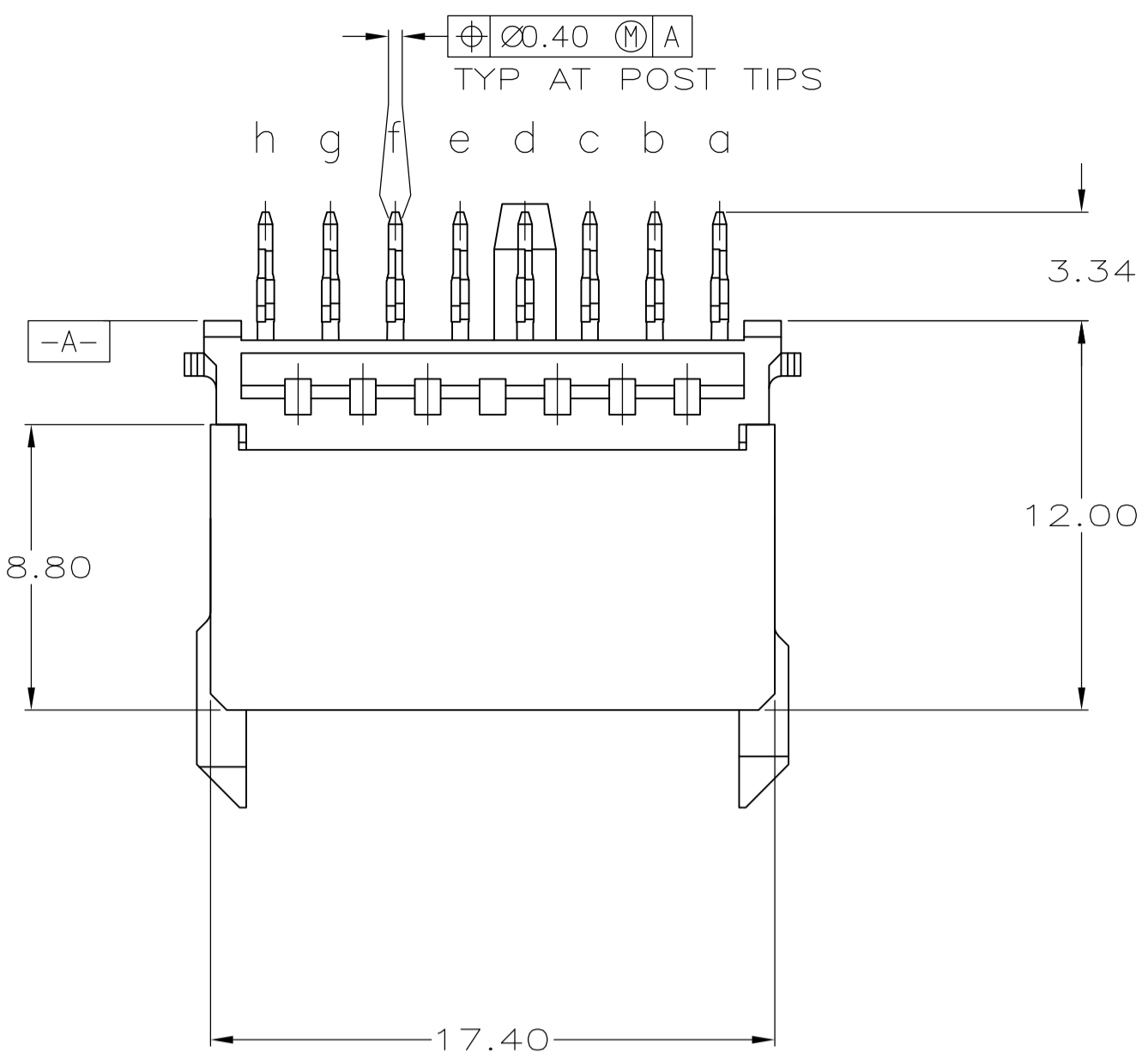
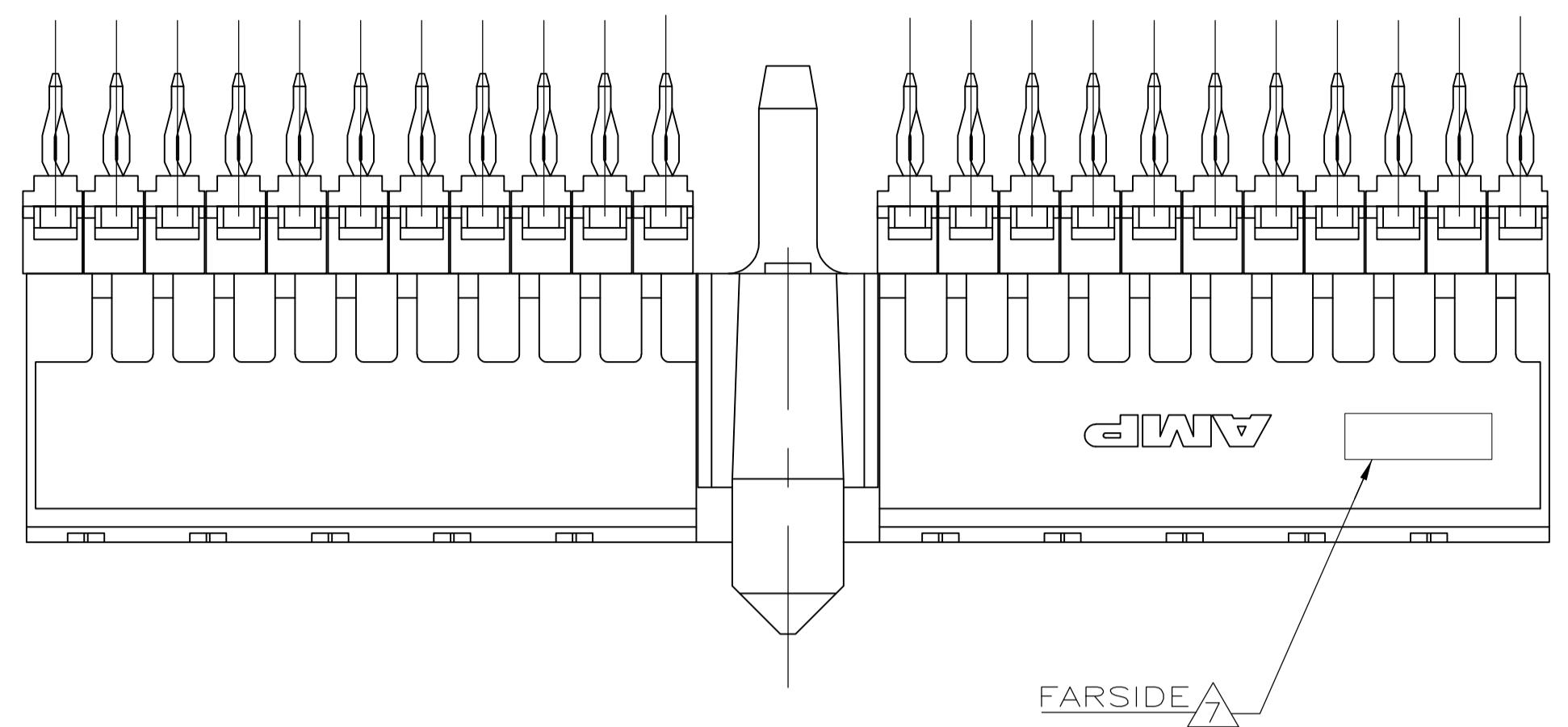
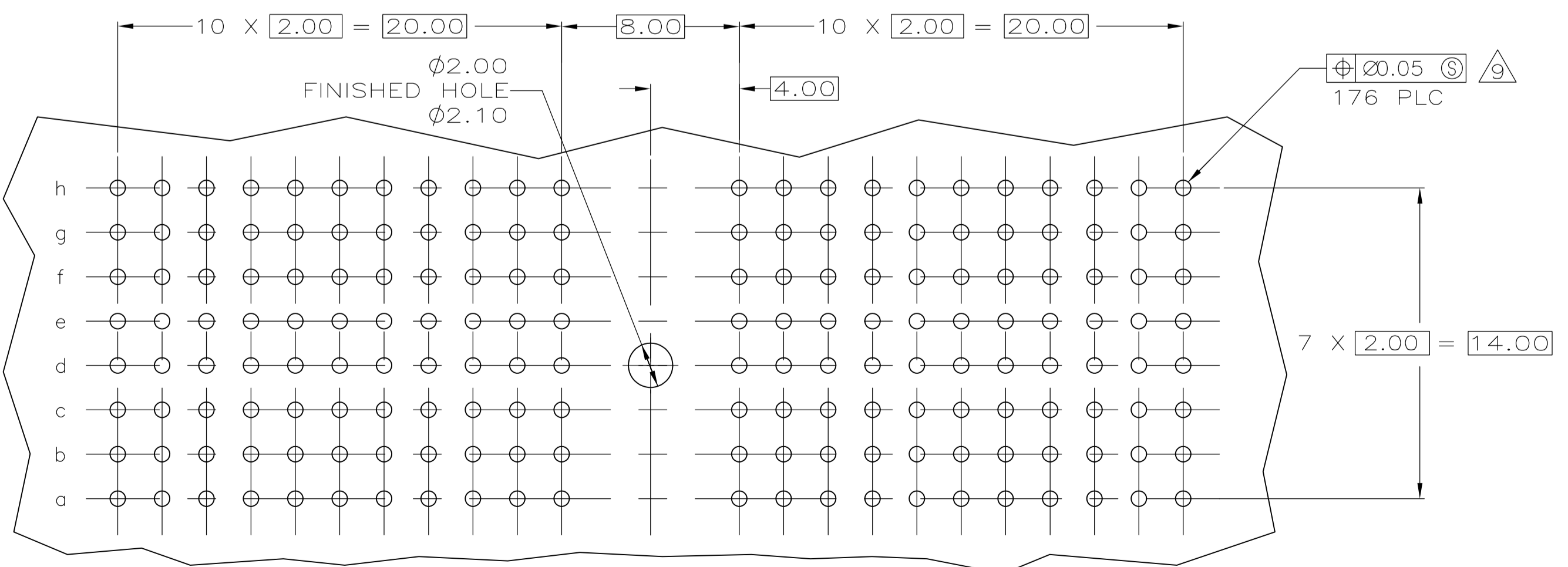


| LOC | | DIST | | REVISIONS | | | |
|-----|----|-------------------------|-------------|-----------|----|------|--|
| AD | 00 | REV | DESCRIPTION | DATE | BY | APPV | |
| A | | REV PER EC 0512-0302-05 | | 15DEC05 | BC | GS | |
| A1 | | REV PER ECO-10-000444 | | 02NOV09 | KK | AEG | |
| B | | ECR-10-018652 | | 10SEP10 | JS | MQW | |



- 1 MATERIAL:
CONTACT: PHOSPHOR BRONZE.
HOUSING: GLASS-FILLED POLYESTER.
- 2 GENERAL PLATING SPECIFICATION: UNDERPLATING (ENTIRE CONTACT): 1.27µm MIN NICKEL AND ACTION PIN: 0.5µm MIN TIN.
FOR PLATING OF MATING SURFACES SEE APPLICABLE SPECIFICATION REFERENCE FOR EACH DASH NUMBER.
- 3 CONFORMS TO ALL TESTING ACCORDING TO IEC 61076-4-101 PERFORMANCE LEVEL 2.
- 4 CONFORMS TO ALL TESTING ACCORDING TO IEC 61076-4-101 PERFORMANCE LEVEL 1.
- 5 CONNECTOR TESTED AND QUALIFIED AGAINST TELCORDIA GR-1217-CORE QUALITY LEVEL 3, CENTRAL OFFICE APPLICATIONS.
- 6 CONNECTOR TESTED AND QUALIFIED AGAINST TELCORDIA GR-1217-CORE QUALITY LEVEL 3, UNCONTROLLED ENVIROMENT APPLICATIONS.
- 7 CONNECTOR MARKED WITH PART NUMBER AND DATE CODE. ADDITIONAL CHARACTERS OR MARKINGS, AS WELL AS THE LOCATION OF THE MARKINGS, MAY BE ADDED FOR TRACEABILITY BASED UPON MANUFACTURERS DISCRETION.
- 8 AREA RESERVED FOR KEYING PART (BASIC P.N. 100526).
- 9 PLATED-THROUGH HOLES AT 2x2mm SQUARE GRID 176 HOLES.
- 10 CONNECTOR LUBRICATED WITH BELCORE APPROVED LUBRICANT, TECHNICAL REFERENCE: TR-NWT-001217 ISSUE 1, SEP 1992.
- 11 OBSOLETE PARTS: OBSOLETE CIS STREAMLINING PER D.RENAUD/D.SINISI



PLATED THRU HOLES PARAMETERS
 REFERENCE APPLICATION SPECIFICATION

| | | |
|----------|--------|--------------|
| OBSELETE | 2/5/10 | -1-5646538-9 |
| | 2/5/10 | 5646538-9 |
| OBSELETE | 2/4 | -5646538-4- |
| | 2/3 | 5646538-1 |
| FINISH | | PART NUMBER |

THIS DRAWING IS A CONTROLLED DOCUMENT.

| | | | |
|----------------|--|-------------------------|---|
| DIMENSIONS: mm | TOLERANCES UNLESS OTHERWISE SPECIFIED: | DIN B. CARBO 29JUL05 | Tyco Electronics Corporation Harrisburg, PA 17105-3608 |
| 0-PLC ± | ±0.2 | CHK G. SKIPPER 29JUL05 | NAME RECEPTACLE ASSEMBLY, VERTICAL, 176 POSN., TYPE D, 8 ROW, Z-PACK 2mm HM |
| 1-PLC ± | ±0.13 | APVD G. SKIPPER 29JUL05 | PRODUCT SPEC 108-1622 |
| 2-PLC ± | ±0.13 | APPLICATION SPEC | 114-19029 |
| 3-PLC ± | ±0.13 | SIZE | A1 |
| 4-PLC ± | ±0.13 | WEIGHT | 00779 |
| ANGLES | ±0.4 | CAGE CODE | 5646538 |
| MATERIAL | SEE TABLE | DRAWING NO | 5646538 |
| | | RESTRICTED TO | |
| | | CUSTOMER DRAWING | SCALE 5:1 SHEET 1 OF 1 REV B |