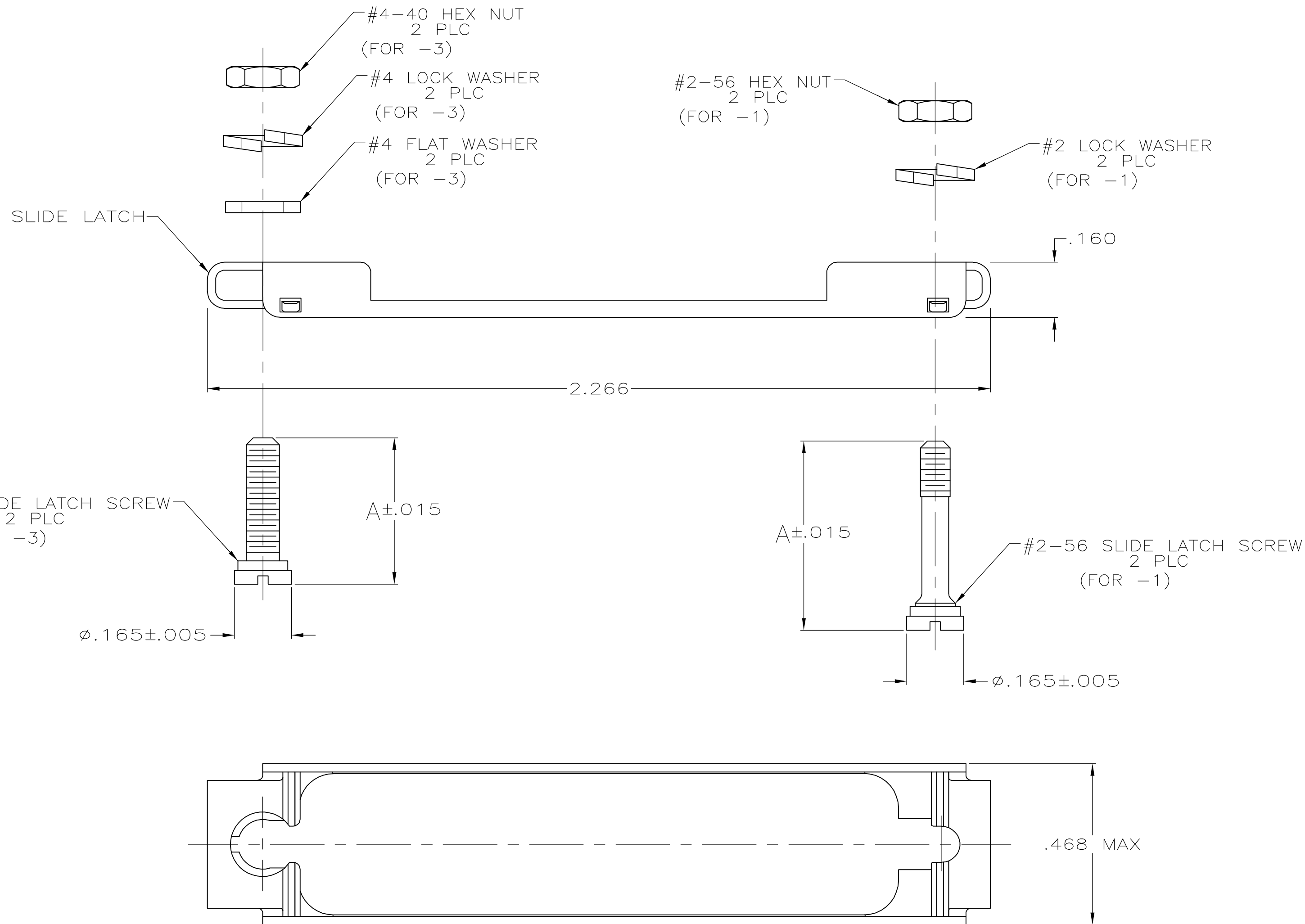


THIS DRAWING IS UNPUBLISHED. RELEASED FOR PUBLICATION  
 © COPYRIGHT BY TYCO ELECTRONICS CORPORATION. ALL RIGHTS RESERVED.

LOC	DIST	REVISIONS			
P	LTR	DESCRIPTION	DATE	DWN	APVD
BD	0	0	RELEASED PER EC 0S13-0207-05	30JUN05	SW JG



1. PARTS PACKAGED UNASSEMBLED.
2. PARTS PACKAGED AS A UNIT KIT.
- ③ ZINC PLATED .000200-.000400 THICK, CLEAR CHROMATE COATING.
- ④ ZINC PLATED .000200-.000400 THICK, YELLOW CHROMATE COATING.
- ⑤ THIS KIT CAN BE USED WITH TWO-PIECE STRAIGHT/90° EXIT CABLE CLAMPS, RFI/EMI CABLE CLAMPS OR UNIVERSAL CABLE CLAMPS.
- ⑥ THIS KIT CAN BE USED WITH STRAIGHT/45° EXIT ONE-PIECE CABLE CLAMPS, STRAIGHT/90° EXIT ONE-PIECE CABLE CLAMPS, OR ON CONNECTORS WITHOUT CABLE CLAMPS.

.415	④	#4-40	⑥	5745584-3
.547	③	#2-56	⑤	5745584-1
A	HARDWARE FINISH	THREAD TYPE	PART NO	

THIS DRAWING IS A CONTROLLED DOCUMENT.		DWN	30JUN05	Tyco Electronics Corporation	
DIMENSIONS: INCHES		S.WAITMAN	30JUN05	Harrisburg, Pa 17105-3608	
TOLERANCES UNLESS OTHERWISE SPECIFIED:		CHK	J.GERACE	NAME	
0 PLC ± - 1 PLC ± - 2 PLC ± - 3 PLC ± .010 4 PLC ± - ANGLES ± -		APVD	M.WALMSLEY	KIT, SLIDE LATCH, SIZE 3, 25 POSITION, AMPLIMITE	
MATERIAL: SLIDE LATCH: STAINLESS STEEL HARDWARE: STEEL		FINISH	HARDWARE: SEE TABLE	WEIGHT	-
CUSTOMER DRAWING		SCALE	4:1	SHEET	1 OF 1
		REV	0		