

4

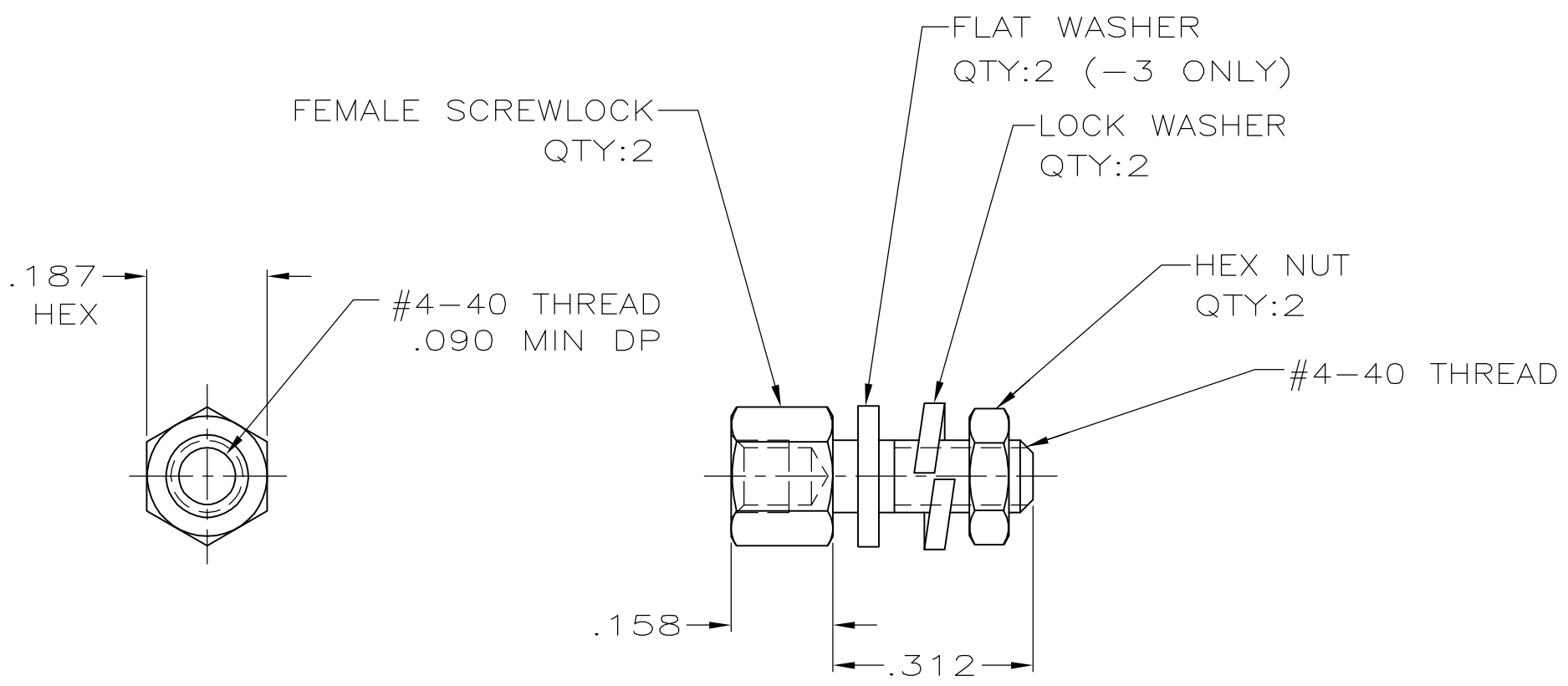
3

2

1

THIS DRAWING IS UNPUBLISHED. RELEASED FOR PUBLICATION  
 © COPYRIGHT BY TYCO ELECTRONICS CORPORATION. ALL RIGHTS RESERVED.

LOC	DIST	REVISIONS			
P	LTR	DESCRIPTION	DATE	DWN	APVD
GP	00	0	RELEASED PER EC 0S13-0207-05	12JUL05	SW JG



- PARTS PACKAGED UNASSEMBLED.
  - PARTS PACKAGED AS A UNIT KIT.
- 3** ZINC PLATING .000200-.000400 THICK, YELLOW CHROMATE COATING.

W/ FLAT WASHER	5748271-3
W/O FLAT WASHER	5748271-1
REMARKS	PART NUMBER

THIS DRAWING IS A CONTROLLED DOCUMENT.		DWN S.WAITMAN 12JUL05	Tyco Electronics Corporation Harrisburg, Pa 17105-3608	
DIMENSIONS: INCHES		CHK C.ROHDE 12JUL05		
TOLERANCES UNLESS OTHERWISE SPECIFIED:		APVD M.WALMSLEY 12JUL05	NAME	
0 PLC ± - 1 PLC ± - 2 PLC ± - 3 PLC ± .005 4 PLC ± - ANGLES ± -		PRODUCT SPEC	FEMALE SCREWLOCK KIT, SHORT HEAD, .090 PANEL, AMPLIMITE	
MATERIAL STEEL		FINISH <b>3</b>	APPLICATION SPEC	RESTRICTED TO
		WEIGHT -	SIZE A3	CAGE CODE 00779
		CUSTOMER DRAWING	DRAWING NO C-5748271	SCALE 4:1
			SHEET 1 OF 1	REV 0