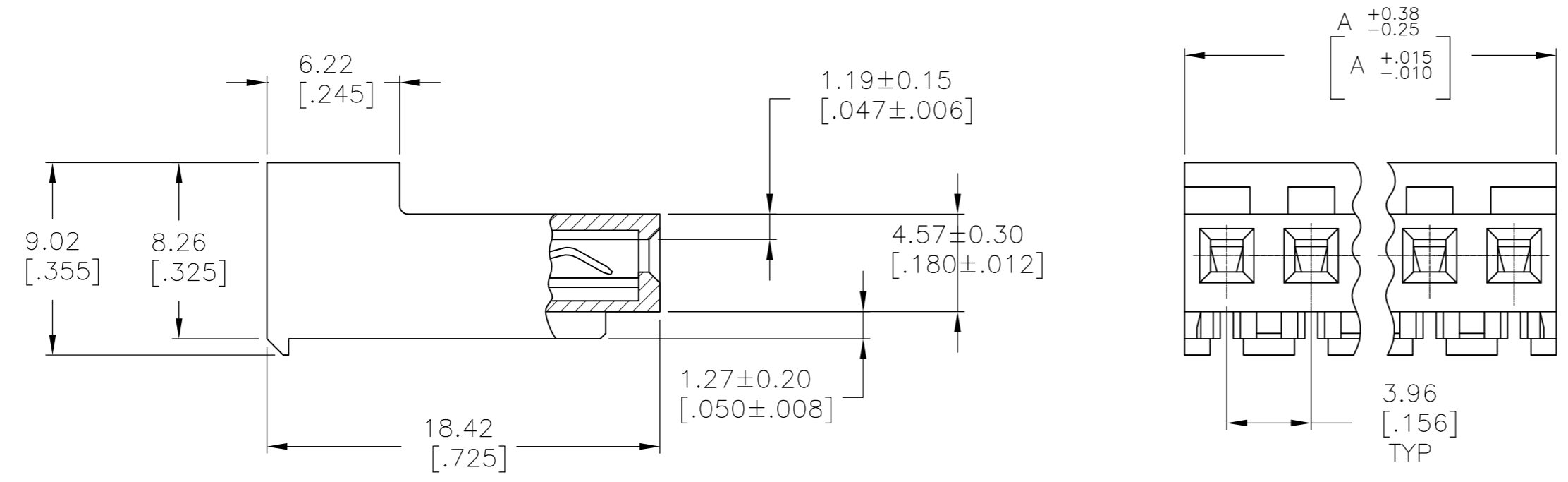
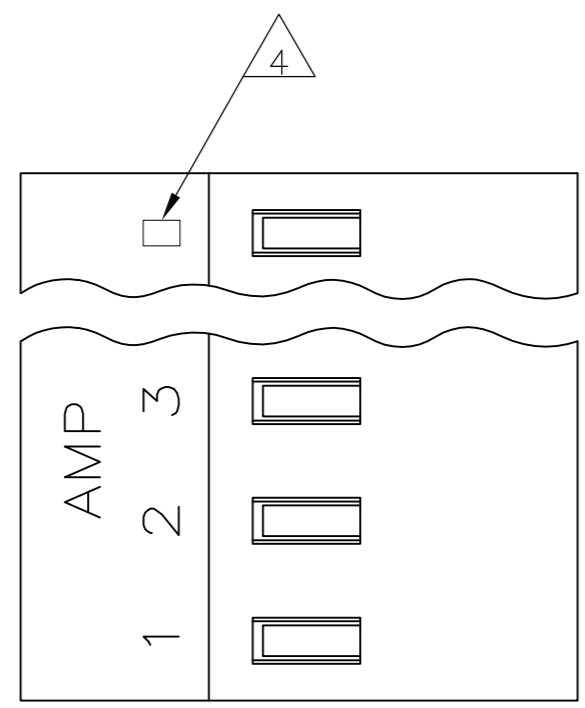


THIS DRAWING IS UNPUBLISHED. RELEASED FOR PUBLICATION
 © COPYRIGHT BY TYCO ELECTRONICS CORPORATION. ALL RIGHTS RESERVED.

LOC	DIST	REVISIONS					
CM	OO	P	LTR	DESCRIPTION	DATE	DWN	APVD
		S1		ECO-08-011000	05MAY08	KW	DB
		S2		REVISED PER ECO-09-022424	03OCT09	KK	AEG



	95.10[3.744]	24	5-640434-4	
	91.13[3.588]	23	5-640434-3	
	87.17[3.432]	22	5-640434-2	
	83.21[3.276]	21	5-640434-1	
	79.25[3.120]	20	5-640434-0	
	75.29[2.964]	19	4-640434-9	
	71.32[2.808]	18	4-640434-8	
	67.36[2.652]	17	4-640434-7	
	63.40[2.496]	16	4-640434-6	
	59.44[2.340]	15	4-640434-5	
	55.47[2.184]	14	4-640434-4	
	51.51[2.028]	13	4-640434-3	
	47.55[1.872]	12	4-640434-2	
	43.59[1.716]	11	4-640434-1	
	39.62[1.560]	10	4-640434-0	
	35.66[1.404]	9	3-640434-9	
	31.70[1.248]	8	3-640434-8	
	27.74[1.092]	7	3-640434-7	
	23.77[.936]	6	3-640434-6	
	19.81[.780]	5	3-640434-5	
	15.85[.624]	4	3-640434-4	
	11.89[.468]	3	3-640434-3	
	7.92[.312]	2	3-640434-2	
SUPERSEDED	95.10[3.744]	24	2-640434-4	
	91.13[3.588]	23	2-640434-3	
	87.17[3.432]	22	2-640434-2	
	83.21[3.276]	21	2-640434-1	
	79.25[3.120]	20	2-640434-0	
SUPERSEDED	75.29[2.964]	19	1-640434-9	
	71.32[2.808]	18	1-640434-8	
	67.36[2.652]	17	1-640434-7	
SUPERSEDED	63.40[2.496]	16	1-640434-6	
	59.44[2.340]	15	1-640434-5	
	55.47[2.184]	14	1-640434-4	
	51.51[2.028]	13	1-640434-3	
SUPERSEDED	47.55[1.872]	12	1-640434-2	
	43.59[1.716]	11	1-640434-1	
SUPERSEDED	39.62[1.560]	10	1-640434-0	
	35.66[1.404]	9	640434-9	
	31.70[1.248]	8	640434-8	
SUPERSEDED	27.74[1.092]	7	640434-7	
	23.77[.936]	6	640434-6	
SUPERSEDED	19.81[.780]	5	640434-5	
	15.85[.624]	4	640434-4	
SUPERSEDED	11.89[.468]	3	640434-3	
	7.92[.312]	2	640434-2	

- 1 MATERIAL: CONNECTOR - NYLON UL94-V2 (WHITE)
 CONTACTS - 0.30[.012] THICK COPPER ALLOY
 (BRIGHT TIN-LEAD 0.00203[.000080] MIN. THICK
 FOR CONTACTS 640434-2 THRU 2-640434-4).
 (MATTE WHISKER MITIGATED TIN 0.00203[.000080] MIN.
 THICKNESS OVER NICKEL UNDERPLATE FOR 3-640434-2
 THRU 5-640434-4).
- 2. CONTACTS ACCEPT 24 AWG WIRE WITH 2.41[.095] MAX
 INSULATION DIAMETER.
- 3. CONTACTS MUST ACCEPT 1.14±0.03[.045]
 POST AND REMAIN LOCKED IN POSITION.
- 4 IDENTIFICATION NUMBER FOR LAST CIRCUIT MAY
 NOT APPEAR ON ALL ASSEMBLIES.
- 5. DIMENSIONS IN BRACKETS ARE IN INCHES.
- 6. HOUSING FEATURES ARE: CLOSED END WITH LOCKING
 RAMP.
- 7 OBSOLETE PARTS: OBSOLETE CIS STREAMLINING PER D.RENAUD/D.SINISI

METRIC

THIS DRAWING IS A CONTROLLED DOCUMENT.		DWN S. CARPENTER 13AUG2003	Tyco Electronics Corporation Harrisburg, Pa 17105-3608	
DIMENSIONS: mm [INCHES]		CHK D. BOSSI 13AUG2003	NAME MTA 156 CONNECTOR ASSEMBLY, 24 AWG, STANDARD	
TOLERANCES UNLESS OTHERWISE SPECIFIED:		APVD D. BOSSI 13AUG2003	RESTRICTED TO	
0 PLC ± -	1 PLC ± -	PRODUCT SPEC 108-1051	SIZE A2	CAGE CODE 00779
2 PLC ± -	3 PLC ± 0.13 [.005]	APPLICATION SPEC 114-1020	DRAWING NO C=640434	SCALE 4:1
4 PLC ± -	ANGLES ± -	WEIGHT -	SHEET 1 OF 1	REV S2
MATERIAL 1	FINISH 1	CUSTOMER DRAWING		