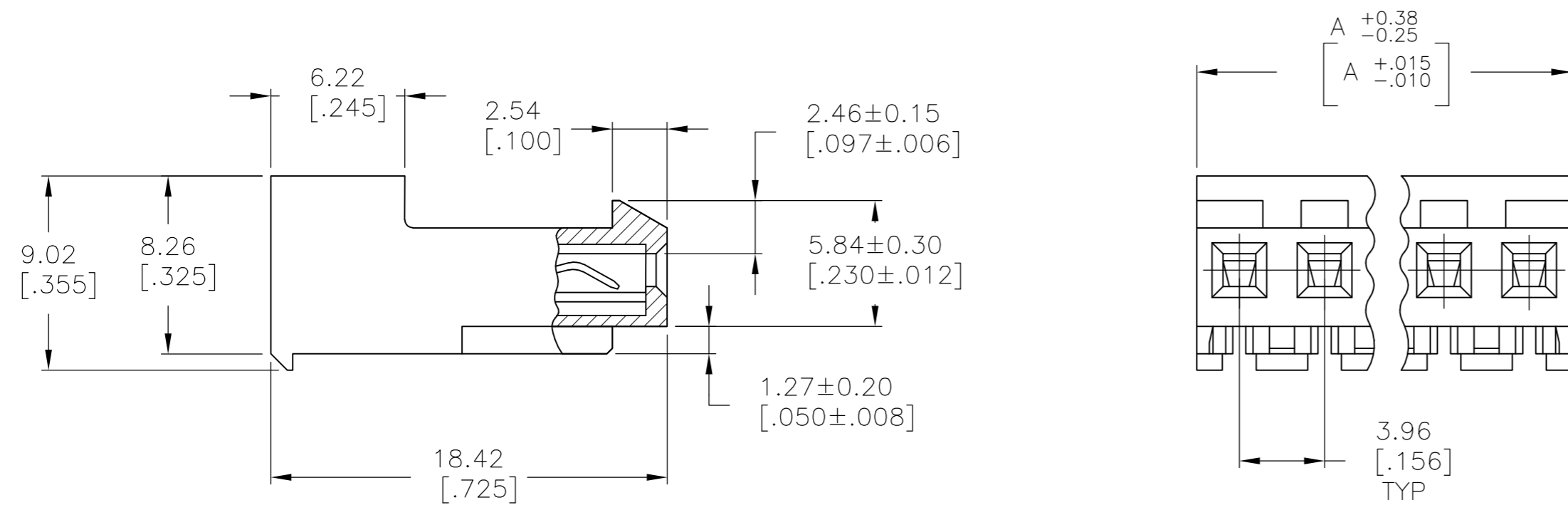
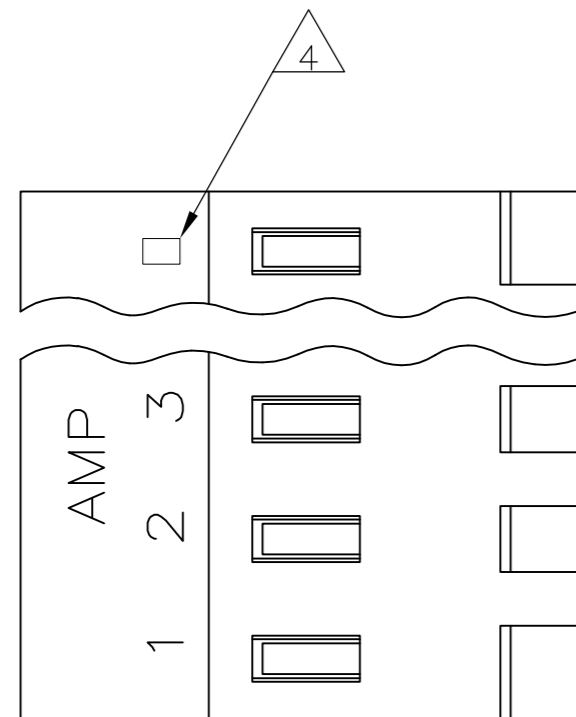


THIS DRAWING IS UNPUBLISHED. RELEASED FOR PUBLICATION
 © COPYRIGHT BY TYCO ELECTRONICS CORPORATION. ALL RIGHTS RESERVED.

LOC	DIST	REVISIONS					
CM	00	P	LTR	DESCRIPTION	DATE	DWN	APVD
		L		ECO-07-012874	15JUN07	KW	DB
		L1		REVISED PER ECO-09-022908	08OCT09	KK	AEG

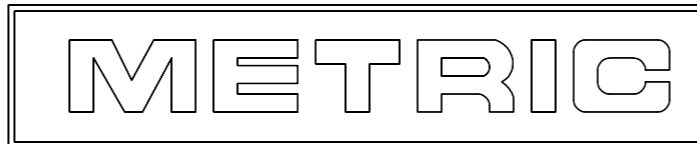


- 1 MATERIAL: CONNECTOR - NYLON UL94V-2 (WHITE).
CONTACTS - 0.30[.012] THICK COPPER ALLOY
0.00076 [.000030] GOLD IN CONTACT
AREA WITH BRIGHT TIN-LEAD FOR
641220-2 THRU 2-641220-4,
MATTE WHISKER MITIGATED TIN FOR
3-641220-2 THRU 5-641220-4
OVER NICKEL UNDERPLATE.
- 2. CONTACTS ACCEPT 24 AWG WIRE WITH 2.41[.095] MAX
INSULATION DIAMETER.
- 3. CONTACTS MUST ACCEPT 1.14±0.03 [.045±.001] SQUARE
POST AND REMAIN LOCKED IN POSITION.
- 4 IDENTIFICATION NUMBER FOR LAST CIRCUIT MAY
NOT APPEAR ON ALL ASSEMBLIES.
- 5. DIMENSIONS IN BRACKETS ARE IN INCHES.
- 6. HOUSING FEATURES ARE: CLOSED END WITH LOCKING
RAMP.
- 7 OBSOLETE PARTS: OBSOLETE CIS STREAMLINING PER D.RENAUD/D.SINISI

95.10	[3.744]	24	5-641220-4
91.14	[3.588]	23	5-641220-3
87.17	[3.432]	22	5-641220-2
83.21	[3.276]	21	5-641220-1
79.25	[3.120]	20	5-641220-0
75.29	[2.964]	19	4-641220-9
71.32	[2.808]	18	4-641220-8
67.36	[2.652]	17	4-641220-7
63.40	[2.496]	16	4-641220-6
59.44	[2.340]	15	4-641220-5
55.47	[2.184]	14	4-641220-4
51.51	[2.028]	13	4-641220-3
47.55	[1.872]	12	4-641220-2
43.59	[1.716]	11	4-641220-1
39.62	[1.560]	10	4-641220-0
35.66	[1.404]	9	3-641220-9
31.70	[1.248]	8	3-641220-8
27.74	[1.092]	7	3-641220-7
23.77	[.936]	6	3-641220-6
19.81	[.780]	5	3-641220-5
15.85	[.624]	4	3-641220-4
11.89	[.468]	3	3-641220-3
7.92	[.312]	2	3-641220-2
95.10	[3.744]	24	2-641220-4
91.14	[3.588]	23	2-641220-3
87.17	[3.432]	22	2-641220-2
83.21	[3.276]	21	2-641220-1
79.25	[3.120]	20	2-641220-0
75.29	[2.964]	19	1-641220-9
71.32	[2.808]	18	1-641220-8
67.36	[2.652]	17	1-641220-7
63.40	[2.496]	16	1-641220-6
59.44	[2.340]	15	1-641220-5
55.47	[2.184]	14	1-641220-4
51.51	[2.028]	13	1-641220-3
47.55	[1.872]	12	1-641220-2
43.59	[1.716]	11	1-641220-1
39.62	[1.560]	10	1-641220-0
35.66	[1.404]	9	641220-9
31.70	[1.248]	8	641220-8
27.74	[1.092]	7	641220-7
23.77	[.936]	6	641220-6
19.81	[.780]	5	641220-5
15.85	[.624]	4	641220-4
11.89	[.468]	3	641220-3
7.92	[.312]	2	641220-2

△ SUPERSEDED
 △ SUPERSEDED
 △ SUPERSEDED
 △ SUPERSEDED
 △ SUPERSEDED

DIM A	NO OF CIRCUITS	PART NO
-------	----------------	---------



THIS DRAWING IS A CONTROLLED DOCUMENT.

DIMENSIONS: mm [INCHES]

TOLERANCES UNLESS OTHERWISE SPECIFIED:

0 PLC	± -
1 PLC	± -
2 PLC	± -
3 PLC	± -
4 PLC	± -
ANGLES	± -

MATERIAL: 1

FINISH: 1

THIS DRAWING IS A CONTROLLED DOCUMENT. DWN B. LEWIS 11 MAR 96
 CHK R. SWING 11 MAR 96
 APVD D. CLARK 11 MAR 96

Tyco Electronics Tyco Electronics Corporation Harrisburg, Pa 17105-3608

NAME: MTA-156 CONNECTOR ASSEMBLY, 24 AWG, STANDARD

PRODUCT SPEC: 108-1051
 APPLICATION SPEC: 114-1020

SIZE: A2 CAGE CODE: 00779 DRAWING NO: C=641220 RESTRICTED TO: -

WEIGHT: - SCALE: 4:1 SHEET: 1 OF 1 REV: L1

CUSTOMER DRAWING