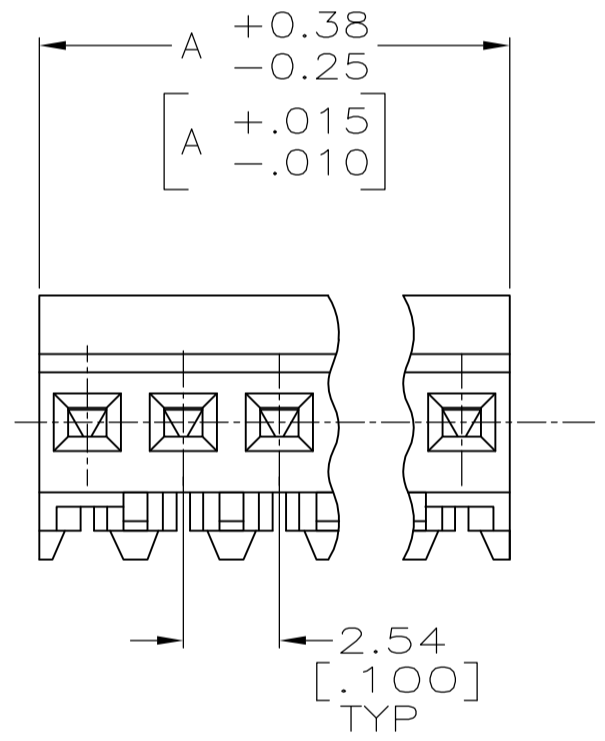
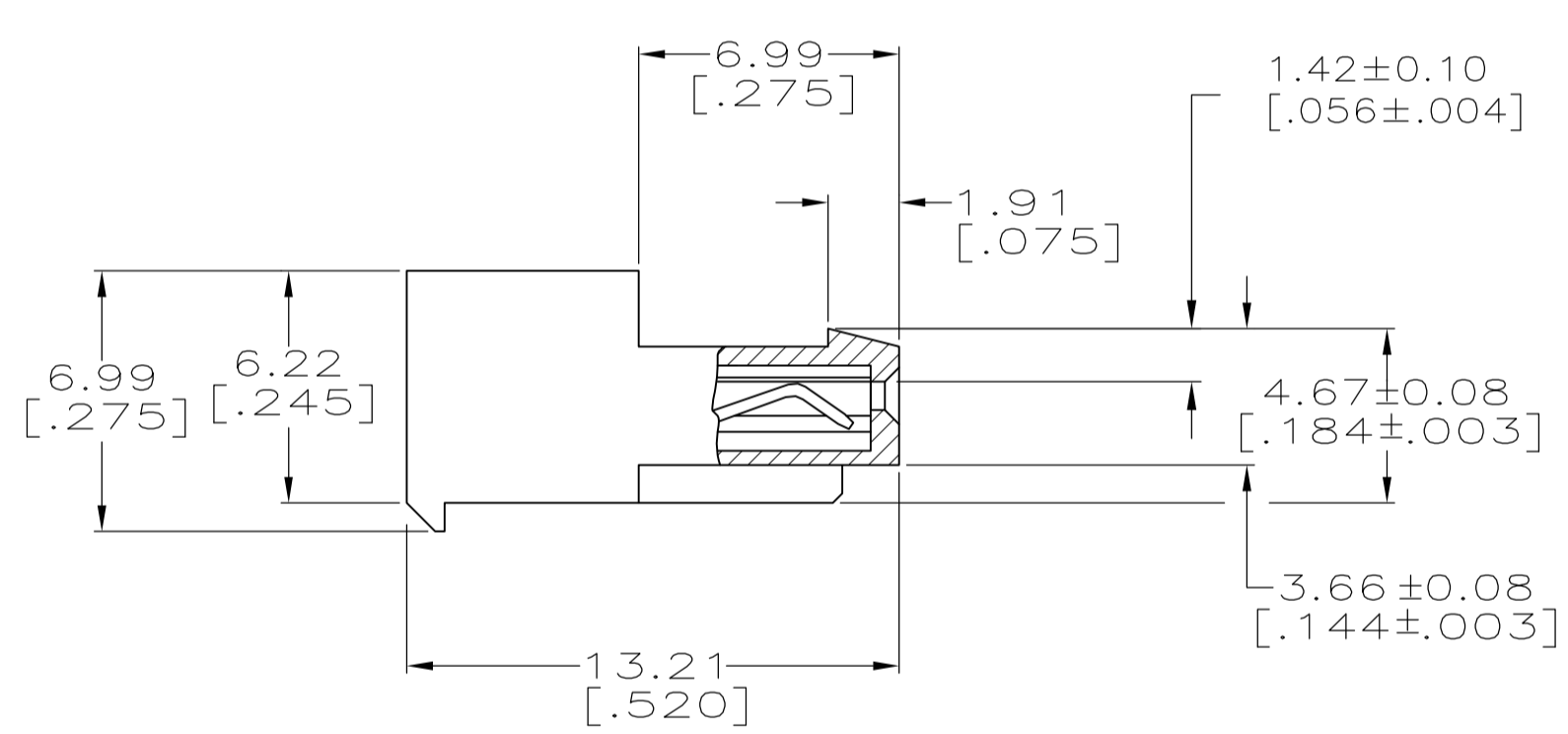
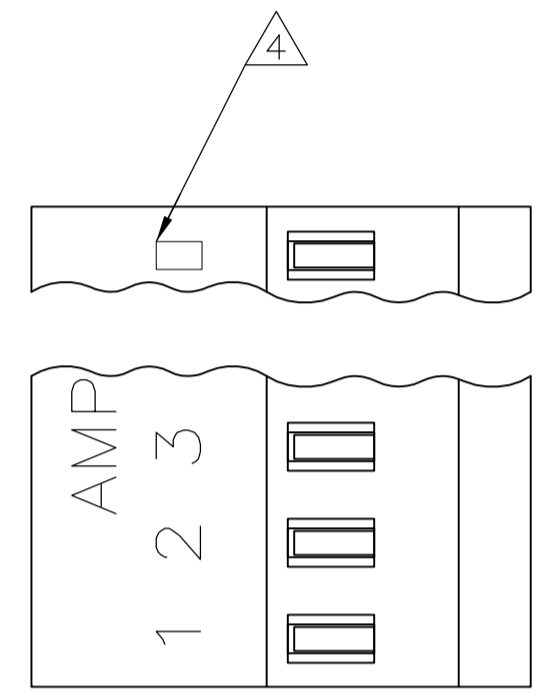


LOC		DIST		REVISIONS			
CM	00	REV	DATE	BY	CHKD	APPD	
K		REVISION PER ECO-07-003748	28FEB07	KW	DB		
K1		REVISED PER ECO-09-021510	16SEP09	KK	AEG		



- 1 MATERIAL: CONNECTOR-NYLON UL94V-2 (GREEN). CONTACTS-0.30 [.012] THICK COPPER ALLOY 0.00076 [.000030] GOLD IN CONTACT AREA WITH BRIGHT TIN-LEAD FOR 641240-2 THRU 2-641240-8, MATTE WHISKER MITIGATED TIN FOR 3-641240-2 THRU 5-641240-8 OVER NICKEL UNDERPLATE.
2. CONTACTS ACCEPT 28 AWG WIRE WITH 1.52 [.060] MAX INSULATION DIAMETER.
3. CONTACTS MUST ACCEPT 0.64±0.03 [.025±.001] SQUARE POST AND REMAIN LOCKED IN POSITION.
- 4 IDENTIFICATION NUMBER FOR LAST CIRCUIT MAY NOT APPEAR ON ALL ASSEMBLIES.
5. DIMENSIONS IN BRACKETS ARE IN INCHES.
6. HOUSING FEATURES ARE: CLOSED END WITH LOCKING RAMP.
- 7 OBSOLETE PARTS: OBSOLETE CIS STREAMLINING PER D.RENAUD/D.SINISI

DIM A	NO.OF POSN	ASSEMBLY
71.12 [2.800]	28	5-641240-8
68.58 [2.700]	27	5-641240-7
66.04 [2.600]	26	5-641240-6
63.50 [2.500]	25	5-641240-5
60.96 [2.400]	24	5-641240-4
58.42 [2.300]	23	5-641240-3
55.88 [2.200]	22	5-641240-2
53.34 [2.100]	21	5-641240-1
50.80 [2.000]	20	5-641240-0
48.26 [1.900]	19	4-641240-9
45.72 [1.800]	18	4-641240-8
43.18 [1.700]	17	4-641240-7
40.64 [1.600]	16	4-641240-6
38.10 [1.500]	15	4-641240-5
35.56 [1.400]	14	4-641240-4
33.02 [1.300]	13	4-641240-3
30.48 [1.200]	12	4-641240-2
27.94 [1.100]	11	4-641240-1
25.40 [1.000]	10	4-641240-0
22.86 [.900]	9	3-641240-9
20.32 [.800]	8	3-641240-8
17.78 [.700]	7	3-641240-7
15.24 [.600]	6	3-641240-6
12.70 [.500]	5	3-641240-5
10.16 [.400]	4	3-641240-4
7.62 [.300]	3	3-641240-3
5.08 [.200]	2	3-641240-2

DIM A	NO.OF POSN	ASSEMBLY
71.12 [2.800]	28	2-641240-8
68.58 [2.700]	27	2-641240-7
66.04 [2.600]	26	2-641240-6
63.50 [2.500]	25	2-641240-5
60.96 [2.400]	24	2-641240-4
58.42 [2.300]	23	2-641240-3
55.88 [2.200]	22	2-641240-2
53.34 [2.100]	21	2-641240-1
50.80 [2.000]	20	2-641240-0
48.26 [1.900]	19	1-641240-9
45.72 [1.800]	18	1-641240-8
43.18 [1.700]	17	1-641240-7
40.64 [1.600]	16	1-641240-6
38.10 [1.500]	15	1-641240-5
35.56 [1.400]	14	1-641240-4
33.02 [1.300]	13	1-641240-3
30.48 [1.200]	12	1-641240-2
27.94 [1.100]	11	1-641240-1
25.40 [1.000]	10	1-641240-0
22.86 [.900]	9	641240-9
20.32 [.800]	8	641240-8
17.78 [.700]	7	641240-7
15.24 [.600]	6	641240-6
12.70 [.500]	5	641240-5
10.16 [.400]	4	641240-4
7.62 [.300]	3	641240-3
5.08 [.200]	2	641240-2

METRIC

THIS DRAWING IS A CONTROLLED DOCUMENT. **Tyco Electronics** Tyco Electronics Corporation Harrisburg, Pa 17105-3608

DIMENSIONS: mm [NCHES]	TOLERANCES UNLESS OTHERWISE SPECIFIED:	0. PLC ±	1. PLC ±	2. PLC ± 0.13 [.005]	3. PLC ±	4. PLC ±	ANGLES ±	FINISH
APPROVED: D. ROSSI		PRODUCT SPEC: 108-1050		APPLICATION SPEC: 114-1019		WEIGHT: A1		RESTRICTED TO: CUSTOMER DRAWING

DATE: 28-DEC-2004
 CHK: D. ROSSI
 NAME: D. ROSSI
 SIZE: A1
 SCALE: 5:1
 SHEET: 1 OF 1
 REV: K1