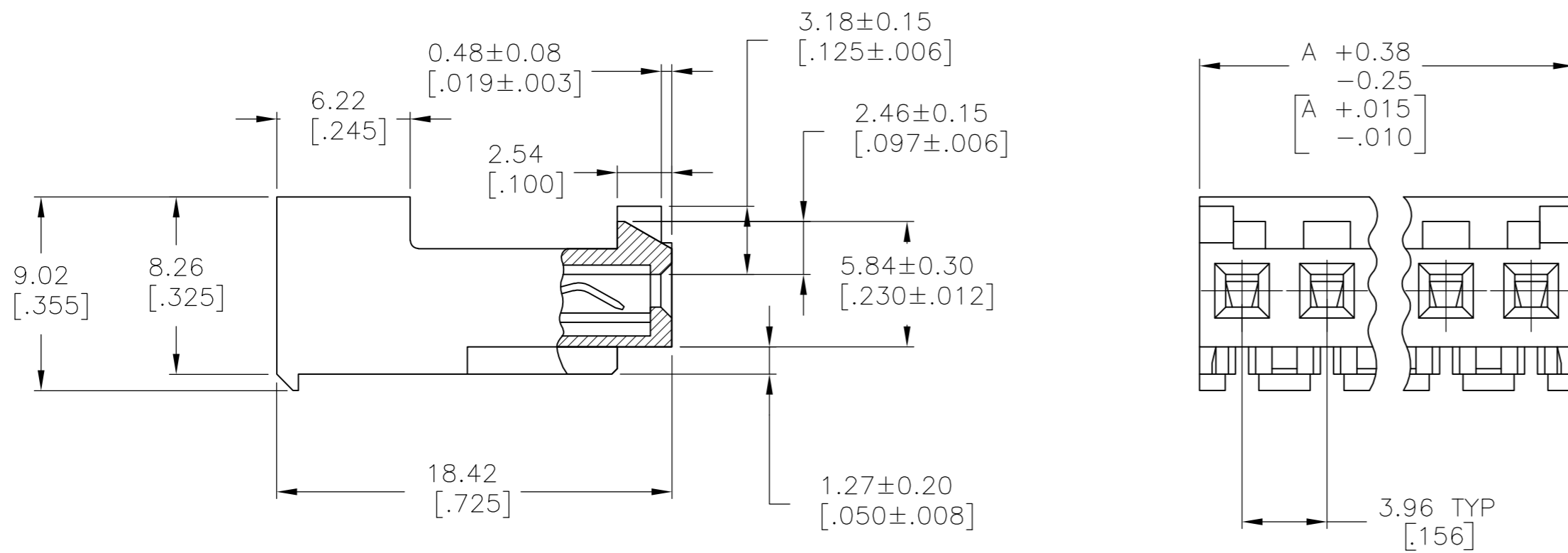
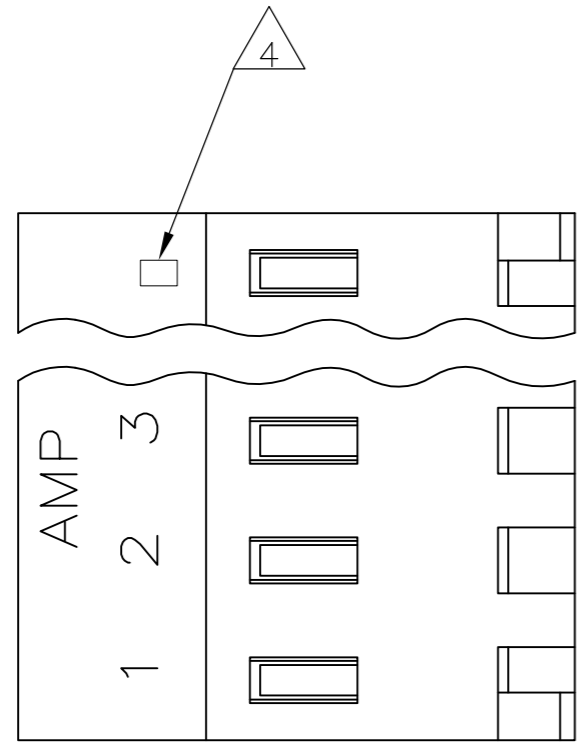


THIS DRAWING IS UNPUBLISHED. RELEASED FOR PUBLICATION
 © COPYRIGHT BY TYCO ELECTRONICS CORPORATION. ALL RIGHTS RESERVED.

LOC	DIST	REVISIONS					
CM	54	P	LTR	DESCRIPTION	DATE	DWN	APVD
		G		ECO-07-012866	13JUN07	KW	DB
		G1		REVISED PER ECO-09-022908	08OCT09	KK	AEG



- 1 MATERIAL: CONNECTOR - NYLON UL94V-2 (BLUE)
CONTACTS - 0.30[.012] THICK COPPER ALLOY (BRIGHT TIN LEAD 0.00203 [.000080] MIN THK FOR CONTACTS 643821-2 THRU 2-643821-4, MATTE WHISKER MITIGATED TIN .00203(.000080) MIN THICKNESS OVER NICKEL UNDERPLATE FOR 3-643821-2 THRU 5-643821-4)
- 2. CONTACTS ACCEPT 26 AWG WIRE WITH 2.41[.095] MAX INSULATION DIAMETER.
- 3. CONTACTS MUST ACCEPT 1.14±0.03 [.045±.001] SQUARE POST AND REMAIN LOCKED IN POSITION.
- 4 IDENTIFICATION NUMBER FOR LAST CIRCUIT MAY NOT APPEAR ON ALL ASSEMBLIES.
- 5. DIMENSIONS IN BRACKETS ARE IN INCHES.
- 6. HOUSING FEATURES ARE: CLOSED END WITH LOCKING RAMP & POLARIZING TABS.
- 7 OBSOLETE PARTS: OBSOLETE CIS STREAMLINING PER D.RENAUD/D.SINISI

DIM	A	NO OF CIRCUITS	PART NO
95.10	[3.744]	24	5-643821-4
91.14	[3.588]	23	5-643821-3
87.17	[3.432]	22	5-643821-2
83.21	[3.276]	21	5-643821-1
79.25	[3.120]	20	5-643821-0
75.29	[2.964]	19	4-643821-9
71.32	[2.808]	18	4-643821-8
67.36	[2.652]	17	4-643821-7
63.40	[2.496]	16	4-643821-6
59.44	[2.340]	15	4-643821-5
55.47	[2.184]	14	4-643821-4
51.51	[2.028]	13	4-643821-3
47.55	[1.872]	12	4-643821-2
43.59	[1.716]	11	4-643821-1
39.62	[1.560]	10	4-643821-0
35.66	[1.404]	9	3-643821-9
31.70	[1.248]	8	3-643821-8
27.74	[1.092]	7	3-643821-7
23.77	[.936]	6	3-643821-6
19.81	[.780]	5	3-643821-5
15.85	[.624]	4	3-643821-4
11.89	[.468]	3	3-643821-3
7.92	[.312]	2	3-643821-2
95.10	[3.744]	24	2-643821-4
91.14	[3.588]	23	2-643821-3
87.17	[3.432]	22	2-643821-2
83.21	[3.276]	21	2-643821-1
79.25	[3.120]	20	2-643821-0
75.29	[2.964]	19	1-643821-9
71.32	[2.808]	18	1-643821-8
67.36	[2.652]	17	1-643821-7
63.40	[2.496]	16	1-643821-6
59.44	[2.340]	15	1-643821-5
55.47	[2.184]	14	1-643821-4
51.51	[2.028]	13	1-643821-3
47.55	[1.872]	12	1-643821-2
43.59	[1.716]	11	1-643821-1
39.62	[1.560]	10	1-643821-0
35.66	[1.404]	9	643821-9
31.70	[1.248]	8	643821-8
27.74	[1.092]	7	643821-7
23.77	[.936]	6	643821-6
19.81	[.780]	5	643821-5
15.85	[.624]	4	643821-4
11.89	[.468]	3	643821-3
7.92	[.312]	2	643821-2

7 SUPERSEDED

7 SUPERSEDED

METRIC

THIS DRAWING IS A CONTROLLED DOCUMENT.		DWN B.LEWIS 12MAR96	Tyco Electronics Corporation Harrisburg, Pa 17105-3608	
DIMENSIONS: mm [INCHES]		CHK R.SWING 12MAR96	Tyco Electronics	
TOLERANCES UNLESS OTHERWISE SPECIFIED:		APVD D.CLARK 12MAR96	NAME MTA-156 CONNECTOR ASSEMBLY 26 AWG, STANDARD	
0 PLC ± -	1 PLC ± -	PRODUCT SPEC 108-1051	SIZE A2	CAGE CODE 00779
2 PLC ± -	3 PLC ± -	APPLICATION SPEC 114-1020	DRAWING NO C=643821	RESTRICTED TO -
4 PLC ± -	ANGLES ± -	FINISH 1	WEIGHT -	SCALE 4:1
MATERIAL 1		CUSTOMER DRAWING		SHEET 1 OF 1
				REV G1