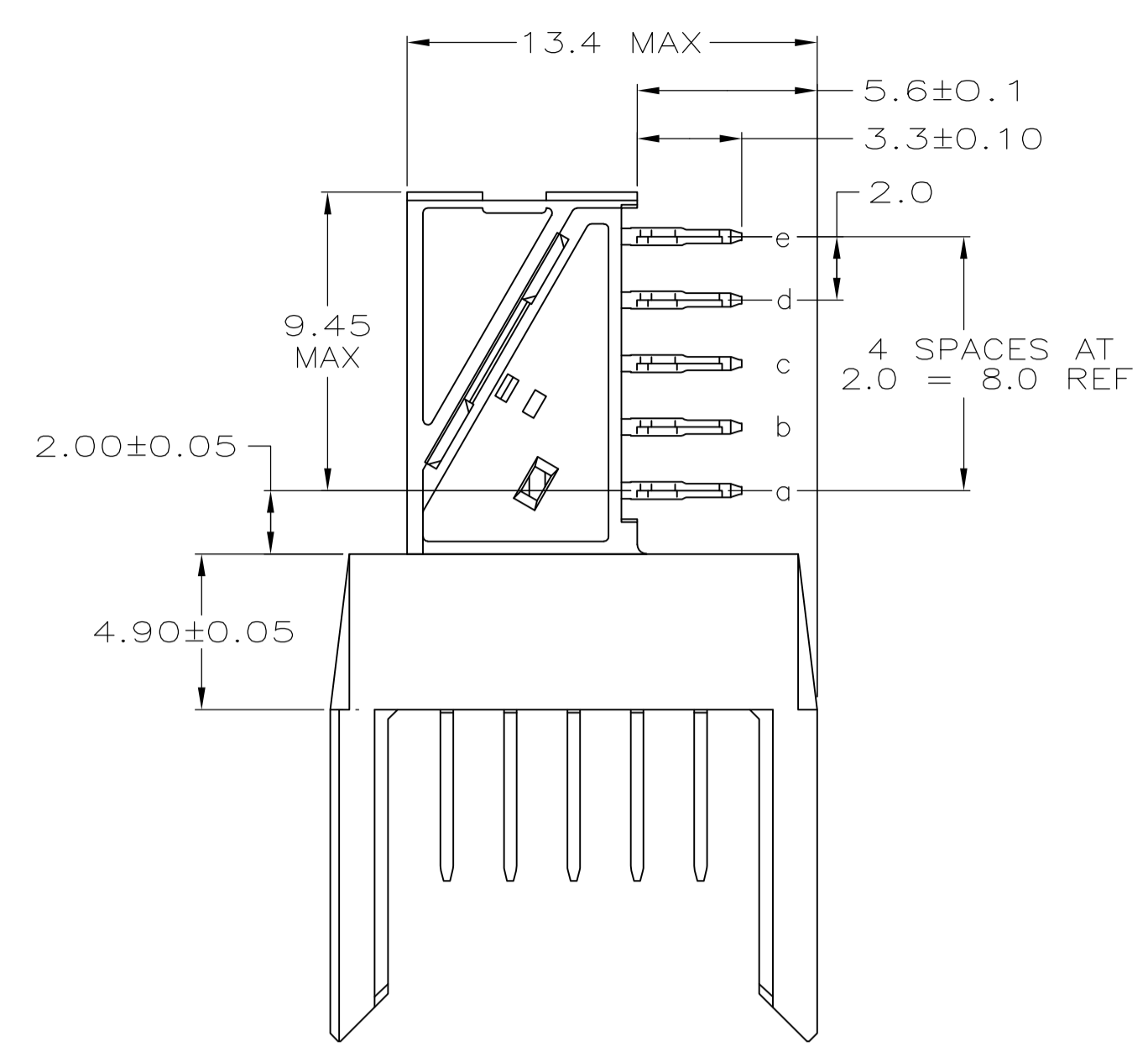
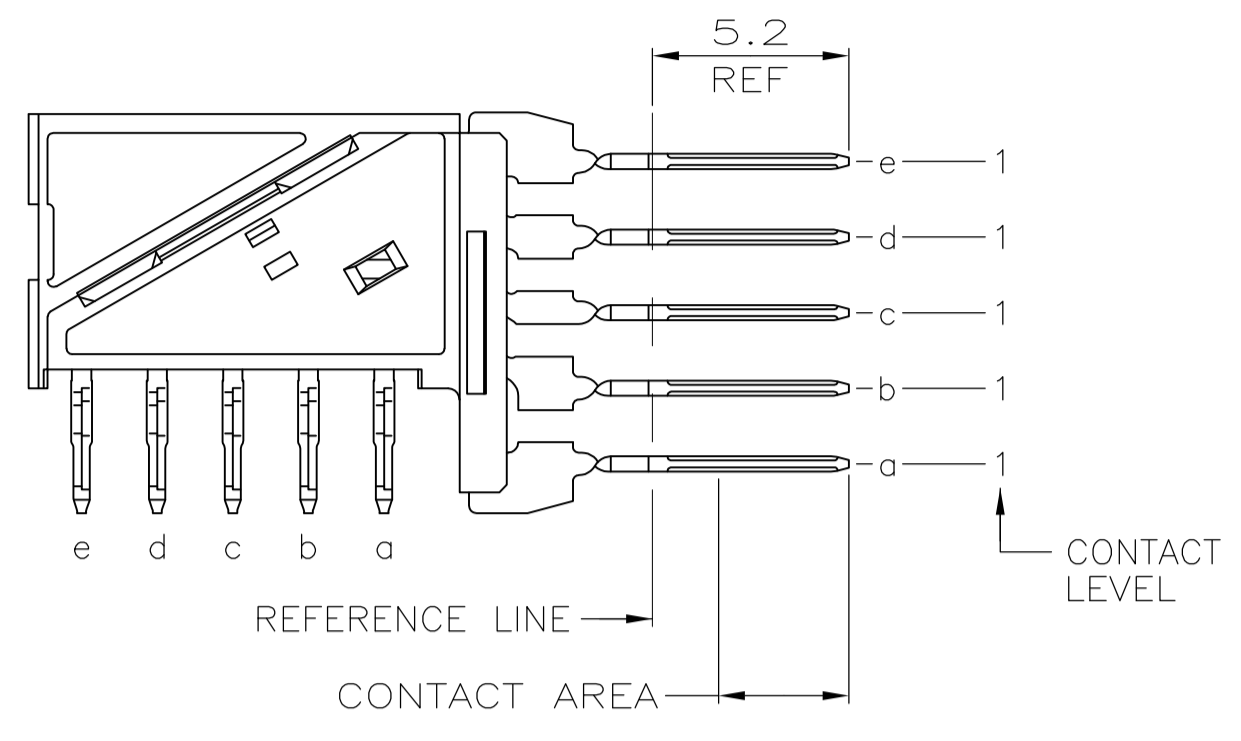


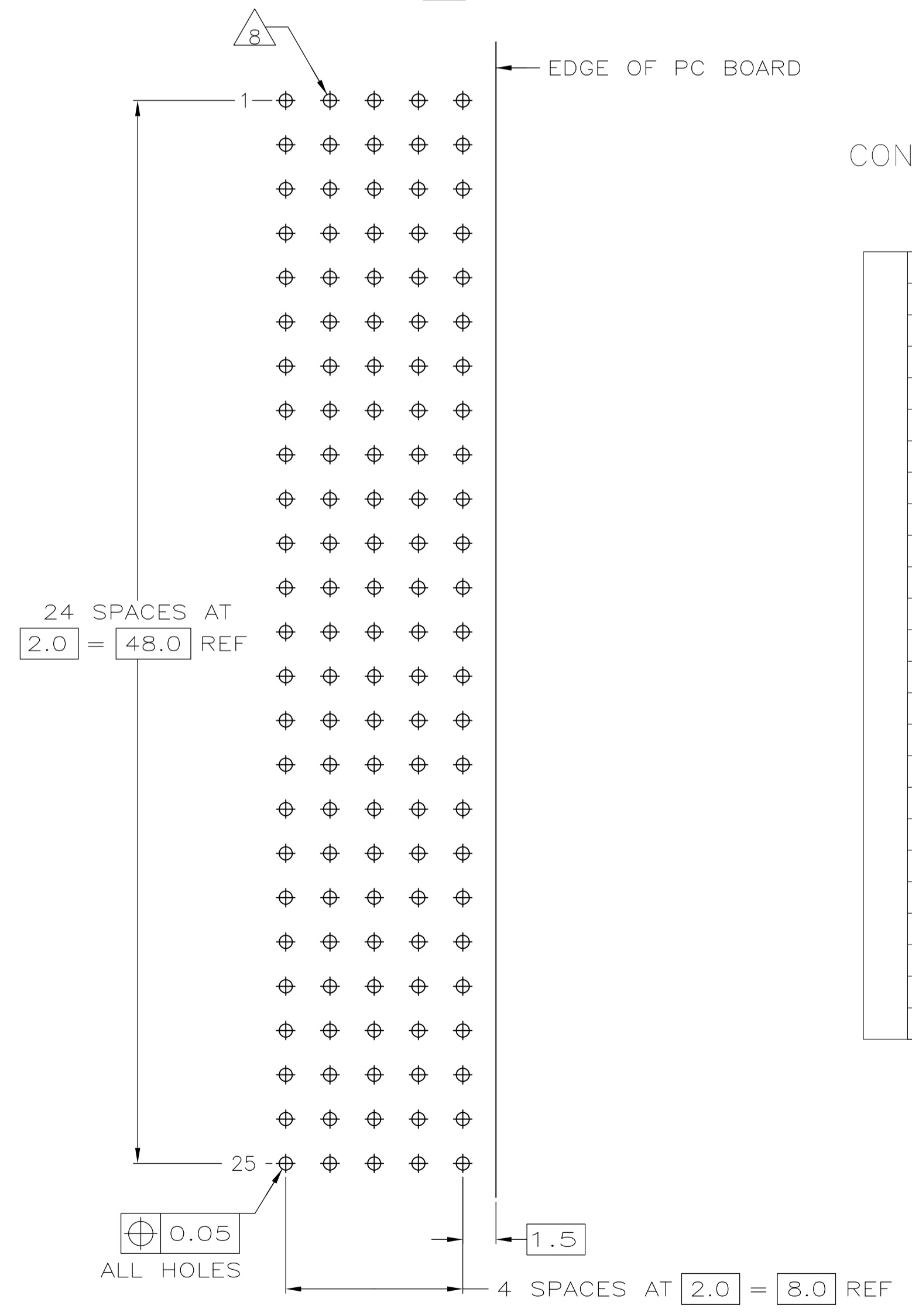
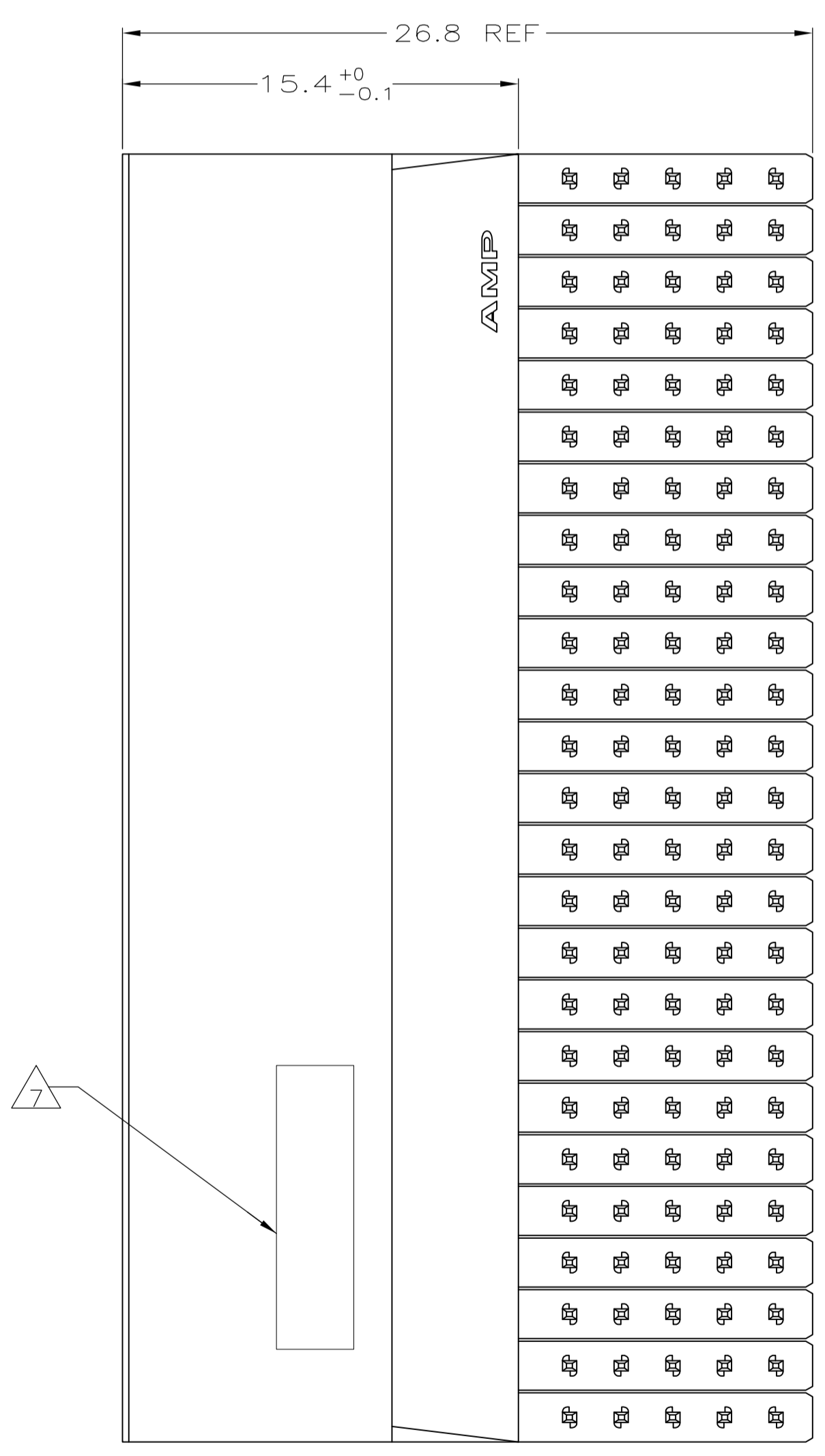
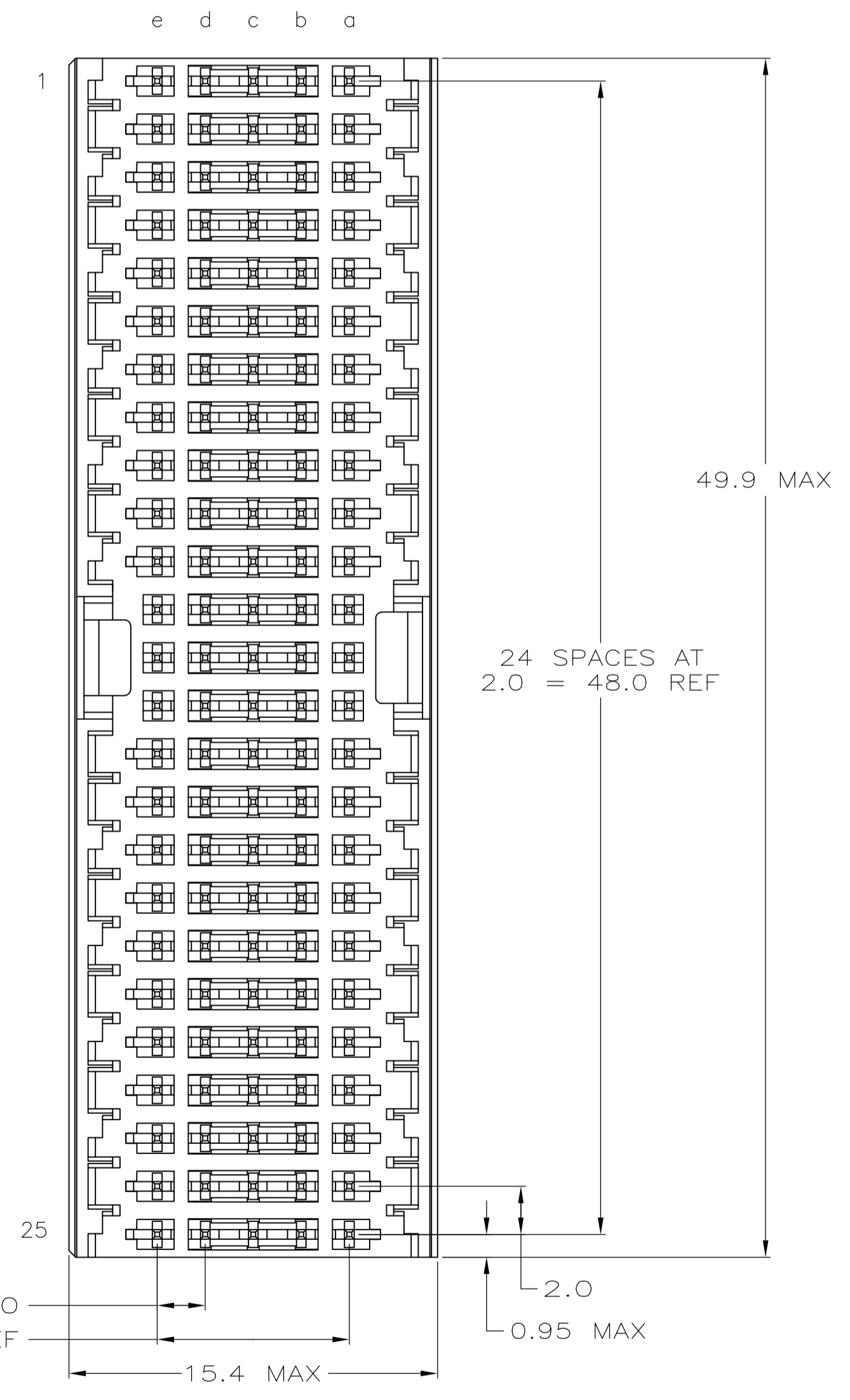
LOC		DIST		REVISIONS			
AD	00	REV	DATE	BY	CHK	APP'D	
C2		REV PER ECO-10-004783	05MRA10	J.G	S.Y		
D		ECR-10-018652	10SEP10	JS	MQW		



CONTACT DIMENSIONS



- 1 MATERIAL:
CONTACT: PHOSPHOR BRONZE.
HOUSING: GLASS-FILLED POLYESTER.
- 2 GENERAL PLATING SPECIFICATION: UNDERPLATING
(ENTIRE CONTACT): 1.27µm MIN NICKEL AND ACTION
PIN: 0.5µm MIN TIN\LEAD.
FOR PLATING OF MATING SURFACES SEE APPLICABLE
SPECIFICATION REFERENCE FOR EACH DASH NUMBER.
- 3 CONFORMS TO ALL TESTING ACCORDING TO IEC 61076-4-101
PERFORMANCE LEVEL 2.
- 4 CONFORMS TO ALL TESTING ACCORDING TO IEC 61076-4-101
PERFORMANCE LEVEL 1.
- 5 CONNECTOR TESTED AND QUALIFIED AGAINST TELCORDIA GR-1217-CORE QUALITY LEVEL 3,
CENTRAL OFFICE APPLICATIONS.
- 6 CONNECTOR TESTED AND QUALIFIED AGAINST TELCORDIA GR-1217-CORE QUALITY LEVEL 3,
UNCONTROLLED ENVIROMENT APPLICATIONS.
- 7 CONNECTOR MARKED WITH PART NUMBER AND DATE CODE.
ADDITIONAL CHARACTERS OR MARKINGS, AS WELL AS THE LOCATION OF THE MARKINGS,
MAY BE ADDED FOR TRACEABILITY BASED UPON MANUFACTURERS DISCRETION.
- 8 PLATED-THROUGH HOLES AT 2x2mm SQUARE GRID
PATTERN DEFINED BY CONTACT LAYOUT.
- 9 FOR ACTUAL PIN LOADING SEE "CONTACT LAYOUT".
- 10 CONNECTOR LUBRICATED WITH BELCORE APPROVED LUBRICANT,
TECHNICAL REFERENCE: TR-NWT-001217 ISSUE 1, SEP 1992.
- 11 OBSOLETE PARTS: OBSOLETE CIS STREAMLINING PER D.RENAUD/D.SINISI



CONTACT LAYOUT

e	d	c	b	a	
1	1	1	1	1	1
1	1	1	1	1	2
1	1	1	1	1	3
1	1	1	1	1	4
1	1	1	1	1	5
1	1	1	1	1	6
1	1	1	1	1	7
1	1	1	1	1	8
1	1	1	1	1	9
1	1	1	1	1	10
1	1	1	1	1	11
1	1	1	1	1	12
1	1	1	1	1	13
1	1	1	1	1	14
1	1	1	1	1	15
1	1	1	1	1	16
1	1	1	1	1	17
1	1	1	1	1	18
1	1	1	1	1	19
1	1	1	1	1	20
1	1	1	1	1	21
1	1	1	1	1	22
1	1	1	1	1	23
1	1	1	1	1	24
1	1	1	1	1	25

OBSOLETE	2 6 10	1-646884-9
	2 5 10	-646884-9-
	2 4	-646884-4-
	2 3	646884-1
FINISH		PART NUMBER

P.C.B. HOLE DIM. ACTION PIN
 DRILLED HOLE: 0.7±0.025mm
 FIN. HOLE : 0.55 TO 0.65mm
 Cu-thks : 0.025 TO 0.050mm
 SnPb-thks : 0.004 TO 0.010mm

THIS DRAWING IS A CONTROLLED DOCUMENT.	
DIMENSIONS: mm	TOLERANCES UNLESS OTHERWISE SPECIFIED: ±0.2
0-PLC	±
1-PLC	±
2-PLC	±
3-PLC	±
4-PLC	±
ANGLES	±
MATERIAL	FINISH SEE TABLE

DIN B CARBO 12DEC05	Tyco Electronics Corporation
CHK S SKIPPER 12DEC05	Harrisburg, PA 17105-3608
APVD S SKIPPER 12DEC05	NAME
PRODUCT SPEC	Z-PACK 2mm HM, TYPE A/B, 125 POSITION RIGHT ANGLE MALE CONNECTOR ASSEMBLY, INVERSE VERSION
APPLICATION SPEC	SIZE CAGE CODE DRAWING NO
WEIGHT	A1 00779 C=646884
CUSTOMER DRAWING	SCALE 5:1 SHEET 1 OF 1 REV D