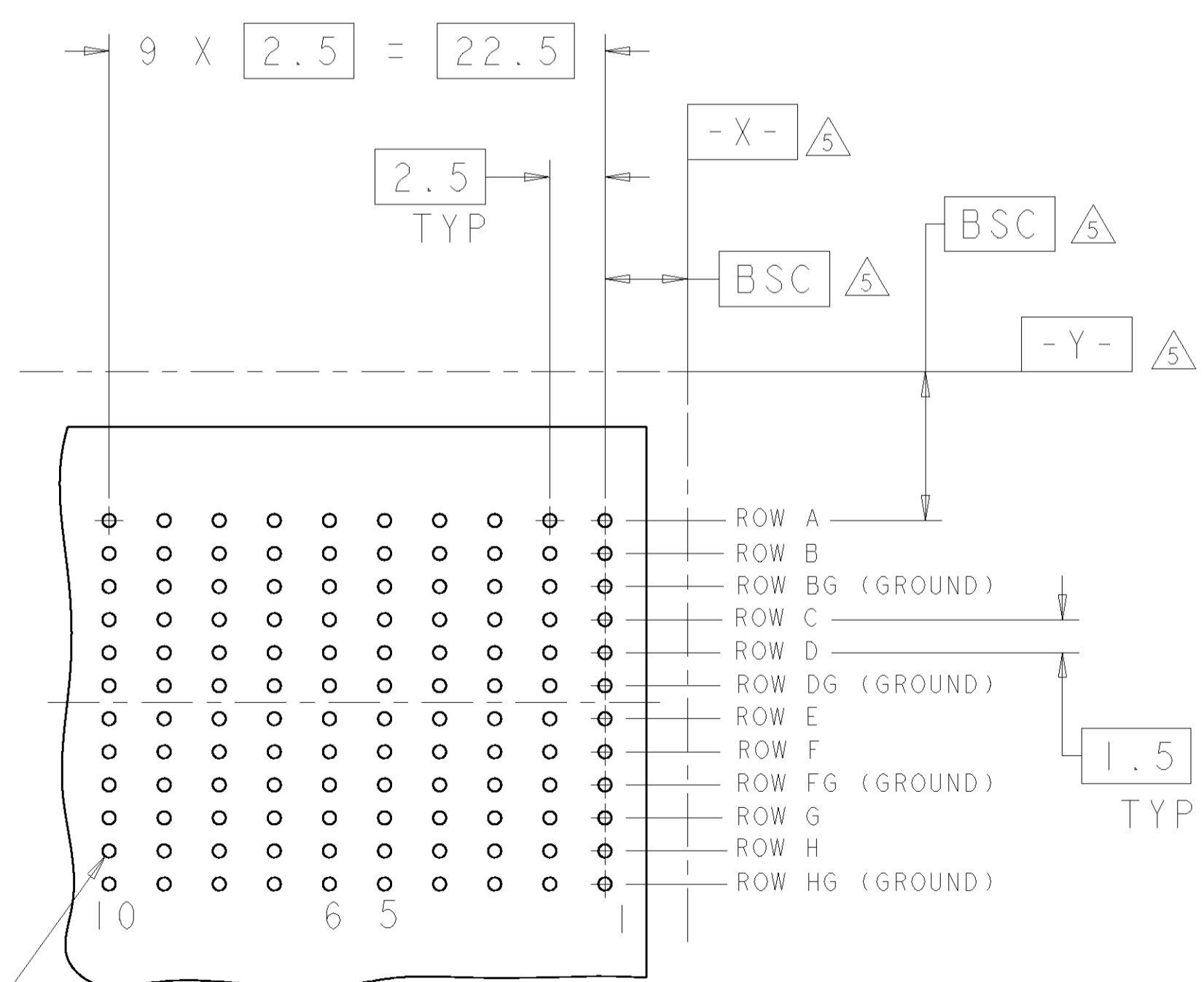
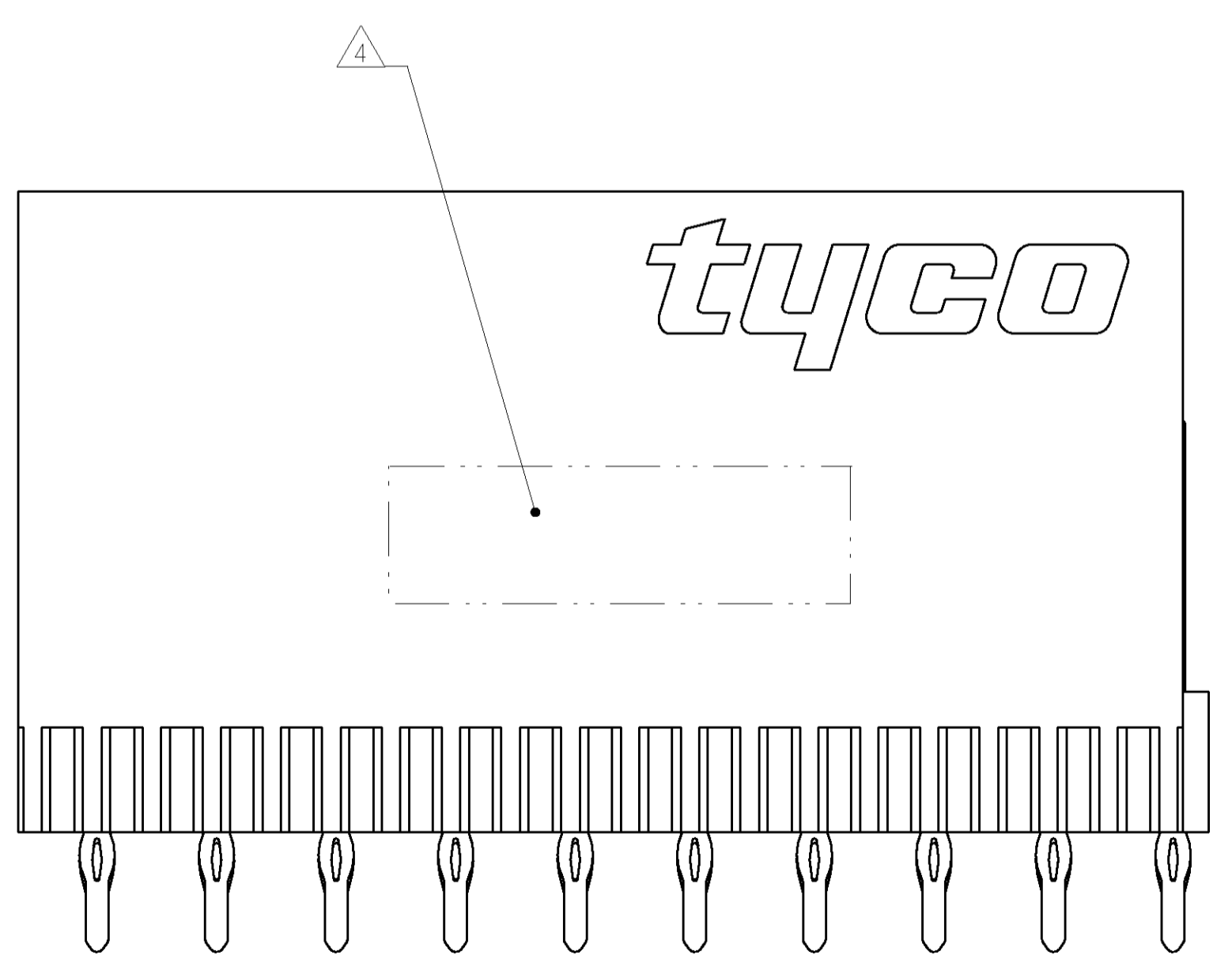
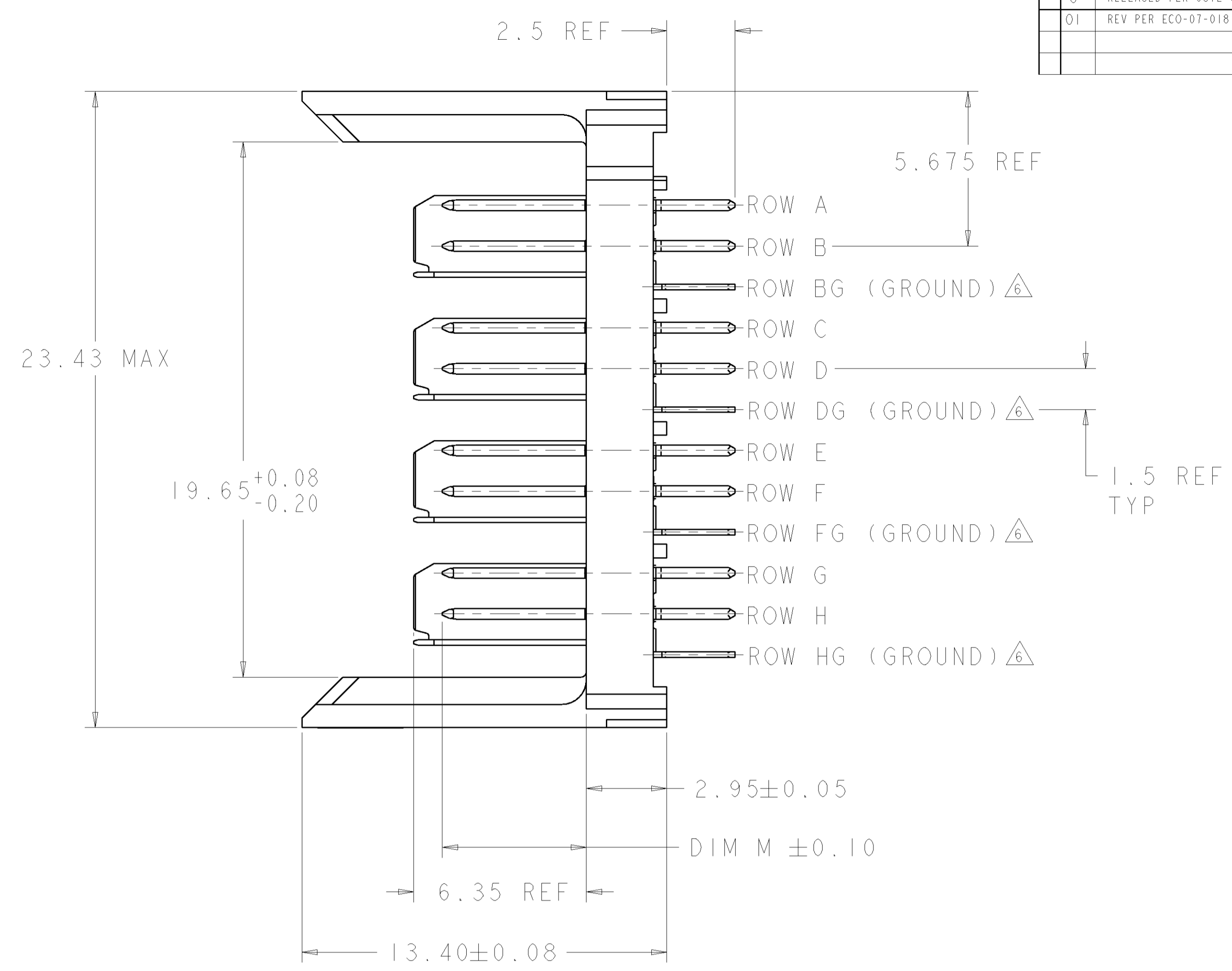
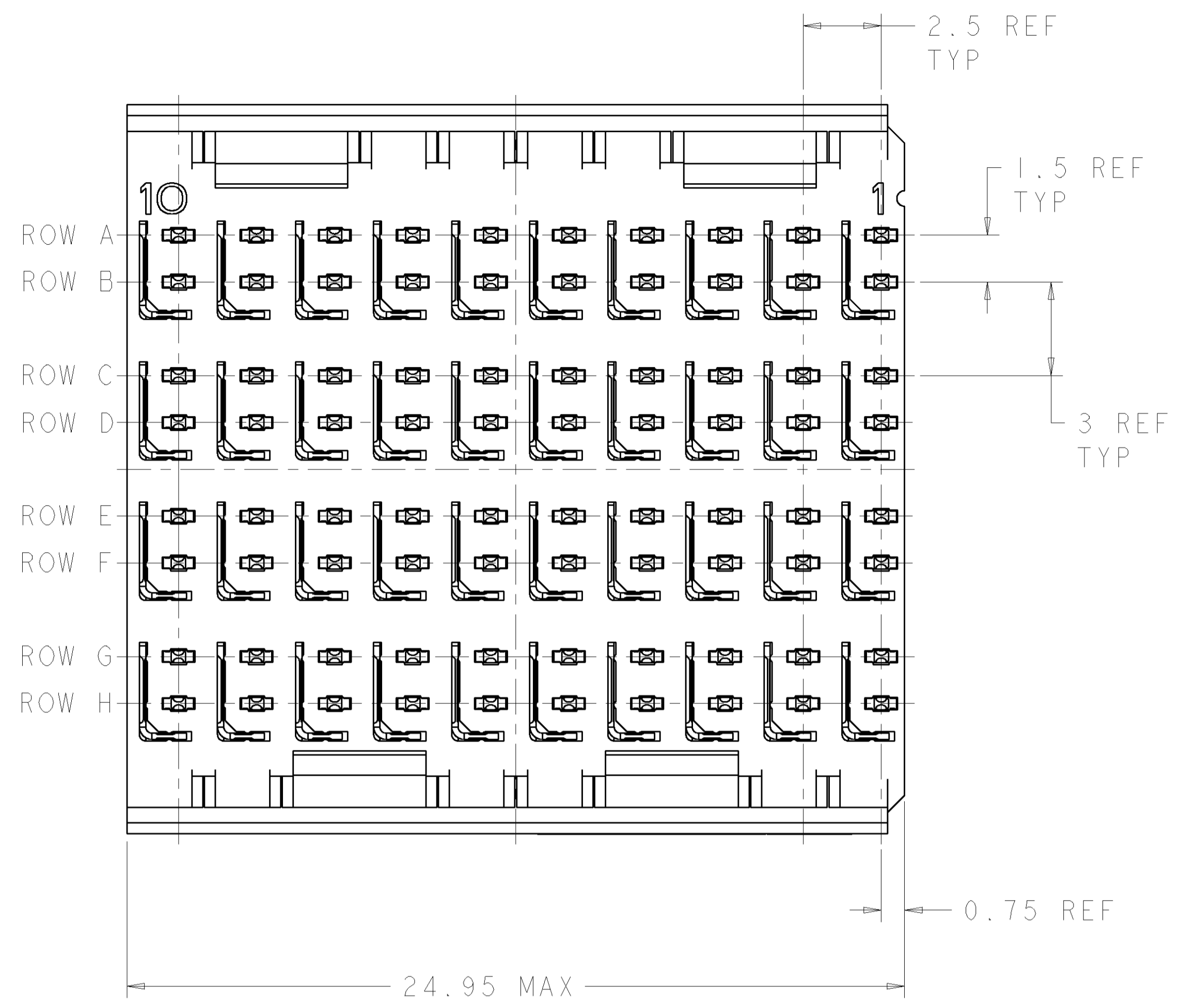


LOC		DIST		REVISIONS			
AD	00	P	LTR	DESCRIPTION	DATE	DWN	APVD
		0		RELEASED PER 0512-0324-04	17JUN2004	SJM	RAP
		01		REV PER ECO-07-018141	16AUG2007	BC	RP



- ⚠ REFERENCE APPLICATION SPEC 114-13059 FOR RECOMMENDED PLATED THRU HOLE DIAMETER AND PLATING THICKNESSES.
- ⚡ MATERIAL:  
CONTACT AND SHIELD - PHOSPHOR BRONZE  
HOUSING - GLASS FILLED POLYESTER, UL 94V-0.
- ⚡ FINISH: CONTACT AND SHIELD  
MATING AREA - 0.76µm MIN GOLD OVER 1.27µm MIN NICKEL  
COMPLIANT PIN AREA - 0.5µm MIN TIN OVER 1.27µm MIN NICKEL
- ⚡ CONNECTOR MARKED WITH PART NUMBER AND DATE CODE.
- ⚡ DATUMS AND BASIC DIMENSIONS ESTABLISHED BY CUSTOMER.
- ⚡ THE FOUR GROUNDS IN EACH COLUMN ARE COMMONED.
- 7. CONTACT AREA LUBRICATED WITH BELLCORE APPROVED LUBRICANT. TECHNICAL REFERENCE: GR-1217-CORE, ISSUE 1, NOVEMBER 1995.

⚠ ⌀0.05Ⓢ X Y  
 ALL PLATED THRU HOLES

RECOMMENDED PC BOARD LAYOUT, BACKPLANE, COMPONENT SIDE SHOWN  
 SCALE 4:1

3.80	6469002-2
5.30	6469002-1
DIM M	PART NUMBER

<small>THIS DRAWING IS UNPUBLISHED. RELEASED FOR PUBLICATION 2004. ALL RIGHTS RESERVED.</small>		DWN S.J. MAGARO 17JUN2004 ENR R.A. PATTERSON 17JUN2004 APVD R. PATTERSON 16AUG2007	Tyco Electronics Harrisburg, PA 17105-3608
DIMENSIONS: mm 	TOLERANCES UNLESS OTHERWISE SPECIFIED: 0 PLC ± 1 PLC ± 2 PLC ± 3 PLC ± 4 PLC ± ANGLES ±	NAME PRODUCT SPEC APPLICATION SPEC WEIGHT CUSTOMER DRAWING	NAME HEADER ASSEMBLY, 4 PAIR, 2.5mm TAIL, 25mm HMZd SIZE CAGE CODE DRAWING NO A1 00779 C=6469002 RESTRICTED TO SCALE 3:1 SHEET 1 OF 1 REV 01