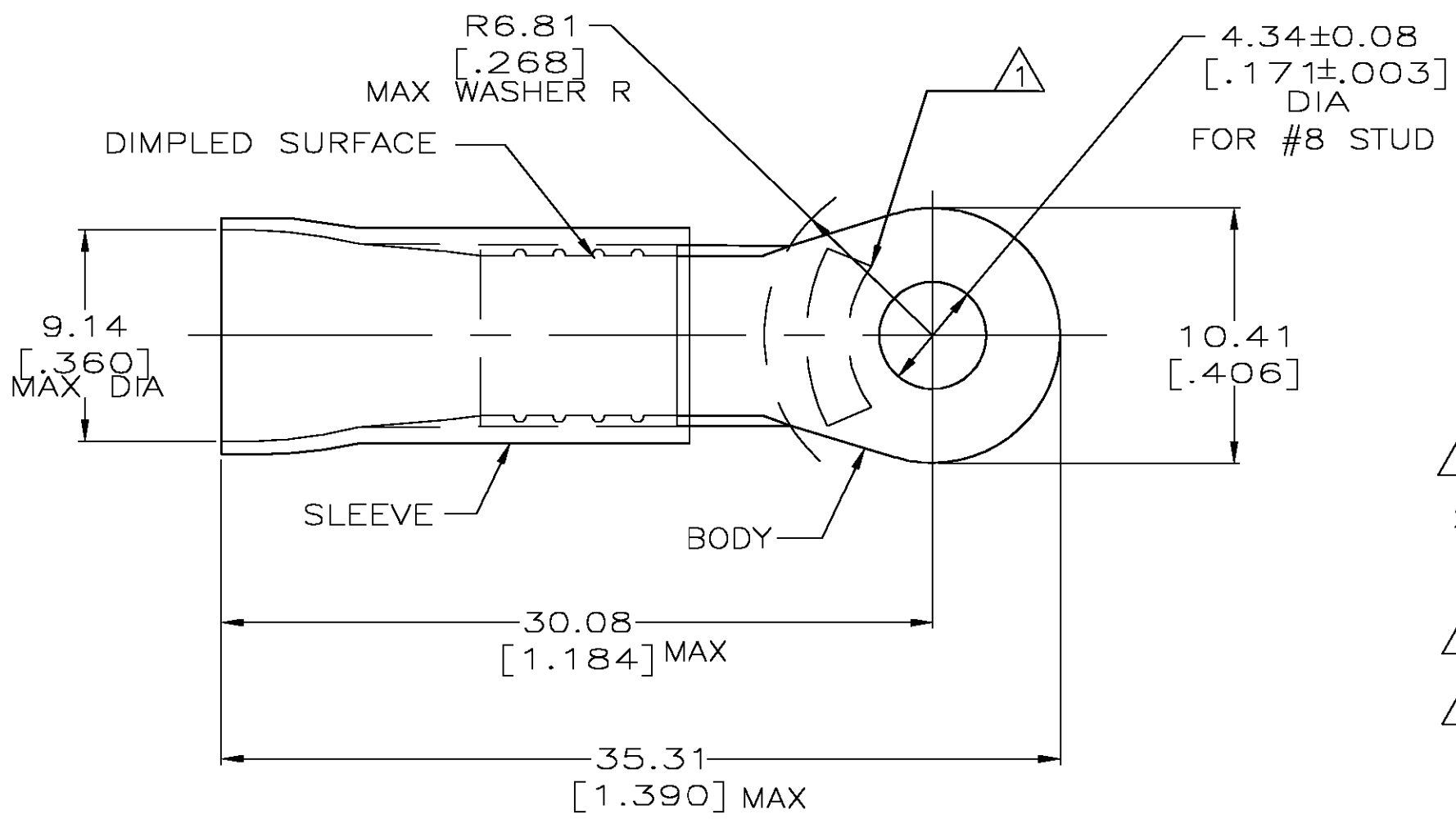


THIS DRAWING IS UNPUBLISHED. RELEASED FOR PUBLICATION
 © COPYRIGHT BY TYCO ELECTRONICS CORPORATION. ALL RIGHTS RESERVED.

LOC	DIST	REVISIONS			
P	LTR	DESCRIPTION	DATE	DWN	APVD
G	14	B	REL PER 0G3A-0249-03	23APR03	JR TM



AMP
WIRE RANGE

8 AWG
STRANDED

- ① STAMP AMP 8* LOCATE APPROX AS SHOWN
- 2 TONGUE MATERIAL THK 1.22±0.08 [.048±.003]
- 3 TAPE ITEMS ARE ON 30.48 [1.200] CENTERS
- ④ TIN PLATE PER ASTM B545
- ⑤ COPPER PER ASTM B152
SLEEVE - PVC, RED

500	ON TAPE	696049-2
100	LOOSE PIECE	696049-1
QTY	PACKAGE TYPE	PART NO.

AMP INCORPORATED CUSTOMER SERVICE SYSTEMS		MAX RECOMMENDED OPERATING TEMPERATURE: 105°C [221°F]
FOR ADDITIONAL PRODUCT INFORMATION OR COPIES OF DRAWINGS AND TECHNICAL DOCUMENTS	PRODUCT INFORMATION CENTER 1-800-522-6752	VOLTAGE RATING: 600V MAX
FOR APPLICATION TOOLING INFORMATION	TOOLING ASSISTANCE CENTER 1-800-722-1111	CIRCULAR MIL AREA: 6.64-10.54mm ² [13,100-20,800] STRANDED
FOR ORDER ENTRY	1-800-526-5142	THIS DRAWING IS A CONTROLLED DOCUMENT FOR AMP INCORPORATED. IT IS SUBJECT TO CHANGE AND THE CONTROLLING ENGINEERING ORGANIZATION SHOULD BE CONTACTED FOR THE LATEST REVISION.

THIS DRAWING IS A CONTROLLED DOCUMENT.	
DIMENSIONS: INCHES	TOLERANCES UNLESS OTHERWISE SPECIFIED:
	0 PLC ± -
	1 PLC ± -
	2 PLC ± 0.20 [.008]
	3 PLC ± -
	4 PLC ± -
	ANGLES ± -
MATERIAL COPPER ⑤	FINISH TIN PLATE ④

DWN JR RUTH 31MAY00	tyco Electronics Tyco Electronics Corporation Harrisburg, PA 17105
CHK M FEHER 31MAY00	
APVD T MICHIELUTTI 31MAY00	
PRODUCT SPEC	
APPLICATION SPEC	NAME TERMINAL, RING TONGUE, PLASTI-GRIP, WIRE SIZE: 8 AWG
WEIGHT	SIZE A3
CUSTOMER DRAWING	CAGE CODE 00779
SCALE 4:1	DRAWING NO C-696049
SHEET 1 OF 1	RESTRICTED TO -
REV B	