

8 7 6 5 4 3 2 1

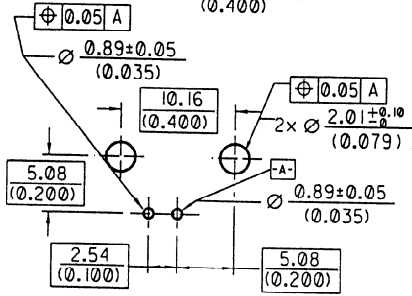
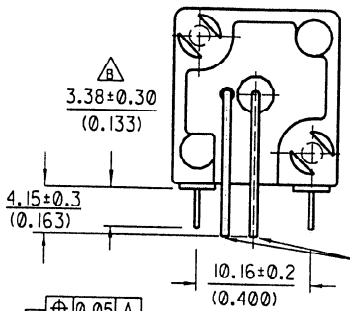
ENG. NO SDA-73101-0040

EDP NO.

SIMILAR ITEM

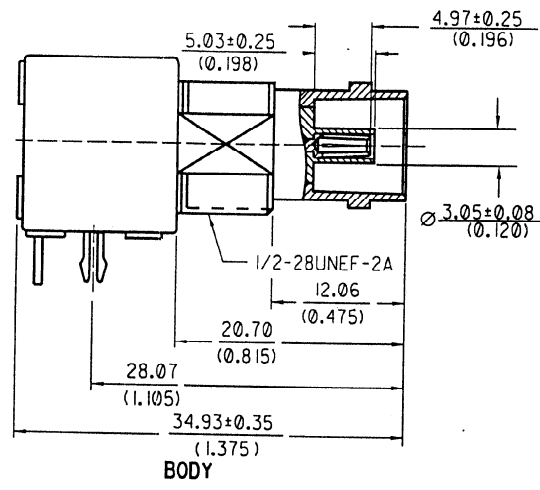
CADFILE NO. S10100240

DO NOT SCALE DRAWING

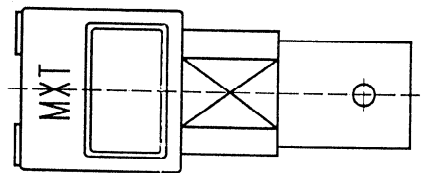


RECOMMENDED PCB HOLE CONFIGURATION

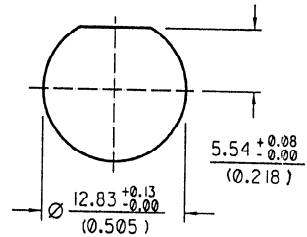
LEADS ARE TO BE ADJUSTED TO FIT PCB PATTERN.



BODY



TOP VIEW



RECOMMENDED MOUNTING HOLE
 MAXIMUM PANEL THICKNESS: 5.40 (0.216)
 RECOMMENDED MOUNTING TORQUE:
 12 INCH-POUNDS MAX.

CONSTRUCTION:
 BODY-----ZINC ALLOY
 CENTER CONTACT---PHOSPHOR BRONZE
 INSULATOR-----POLYPROPYLENE (94V2)
 BOARD LOCK-----PHOSPHOR BRONZE
 SOLDER TAIL-----COPPER OVER STEEL

MATERIALS AND FINISH:
 BODY-----NICKEL PLATING
 CENTER CONTACT---GOLD PLATING (10u")
 SOLDER TAIL-----TIN PLATING
 BOARD LOCK-----TIN PLATING

MECHANICAL AND ELECTRICAL CHARACTERISTICS:
 PER PRODUCT SPECIFICATION PS-73598-0051

MATERIALS AND FINISH:
 PER PRODUCT SPECIFICATION PS-73598-0051

PACKAGING:
 TRAY

MATERIAL : SEE NOTES	
FINISH : SEE NOTES	
SCALE :	UNIT : mm(INCH)
B RIM 844 960319	DRAWN BY : <i>Wilson</i> 960301
A2 DIMENSION CHANGE 798 960429	CHK'D BY : <i>Vina</i> 960319
A1 TOOLING RELEASE 771 960319	APPR'D BY : <i>Wilson</i>
LTR REVISION RECORD ECH OR DATE	
STANDARD ITEM	<input type="checkbox"/> YES <input checked="" type="checkbox"/> NO
SHEET 1	OF 1

MOLEX
TAIWAN LTD.
(R.F. DIVISION)

GENERAL TOLERANCES
 ANGLE : ± 3° DIM. ± 0.25 (± .01)

DRW. NO.: SDA-73101-0040 REV B

TITLE :
 75 OHMS BNC R/A PCB
 RECEPTACLE (DIE CAST)