

MATERIALS AND FINISHES

PART # 73415-1690

BODY: BRASS
PLATED: NICKEL

CONTACT: BeCu
PLATED: GOLD

INSULATOR: TEFLON

PART # 73415-1691

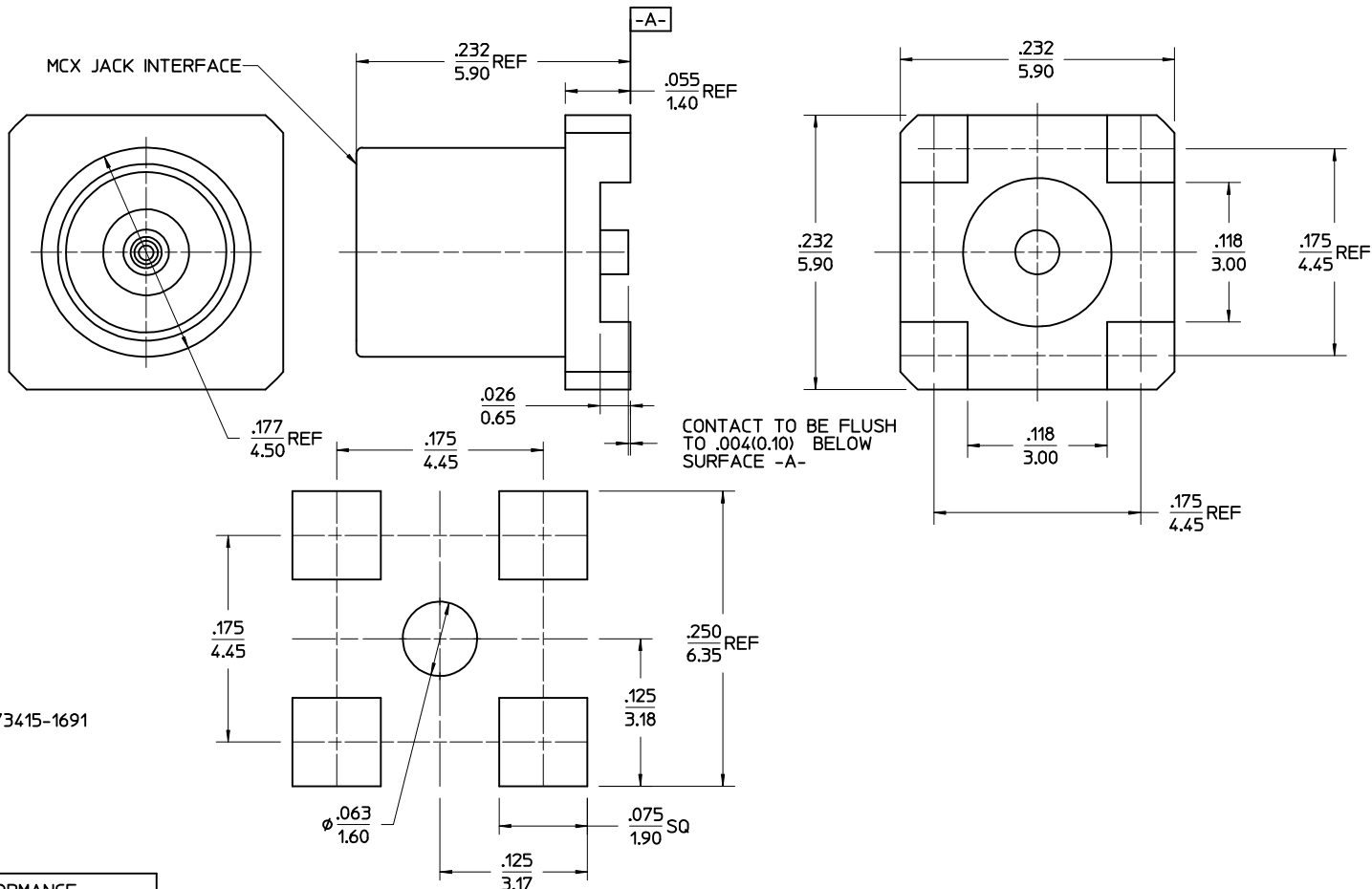
BODY: BRASS
PLATED: GOLD (1-3 MICROINCH)

CONTACT: BeCu
PLATED: GOLD (30-50 MICROINCHES)

INSULATOR: TEFLON

PART # 73415-1692

MATERIALS AND PLATINGS SAME AS 73415-1691
TAPE MOUNTED. SEE SHEET 2



RECOMMENDED MOUNTING PATTERN

PS-89675-1910	ELECTRO/MECH PERFORMANCE
SPECIFICATION	DESCRIPTION

CHG: ADDED PLATING SURFACE -A- AND NOTE FLUSH TO .004(0.10)mm	EC NO URF-2087	DRWN: JFW 03/09/04	CHK: SSS 03/31/04	APPR: GMH 03/31/04	THICKNESSES FOR -1691 AND -1692
A3	EC NO URF-2046	DRWN: JFW 03/09/04	CHK: SSS 03/09/04	APPR: JFW 03/09/04	A2
REV	DESCRIPTION				

- UNLESS OTHERWISE SPECIFIED DIMS ARE INCHES AND ANGLES ARE DEGREES.
- ✓ 63 ALL OVER.
 - NO CHATTER OR NON-UNIFORM SURFACE FINISH ALLOWED.
 - PARTS TO BE FREE OF BURRS & SHARP EDGES .005 MAX BREAK.
 - EXTERNAL THREADS TO BE ROLLED OR SINGLE POINT.
 - DIAMETERS TO BE CONCENTRIC WITHIN .003 TIR.

QUALITY SYMBOLS
MAJOR
CRITICAL

GENERAL TOLERANCES: (UNLESS SPECIFIED)	
mm	INCH
4 PLACES	± .0005
3 PLACES	± .005
2 PLACES	± .01
1 PLACE	± .1
ANGULAR: ±2°	
DRAFT WHERE APPLICABLE MUST REMAIN WITHIN DIMENSIONS	

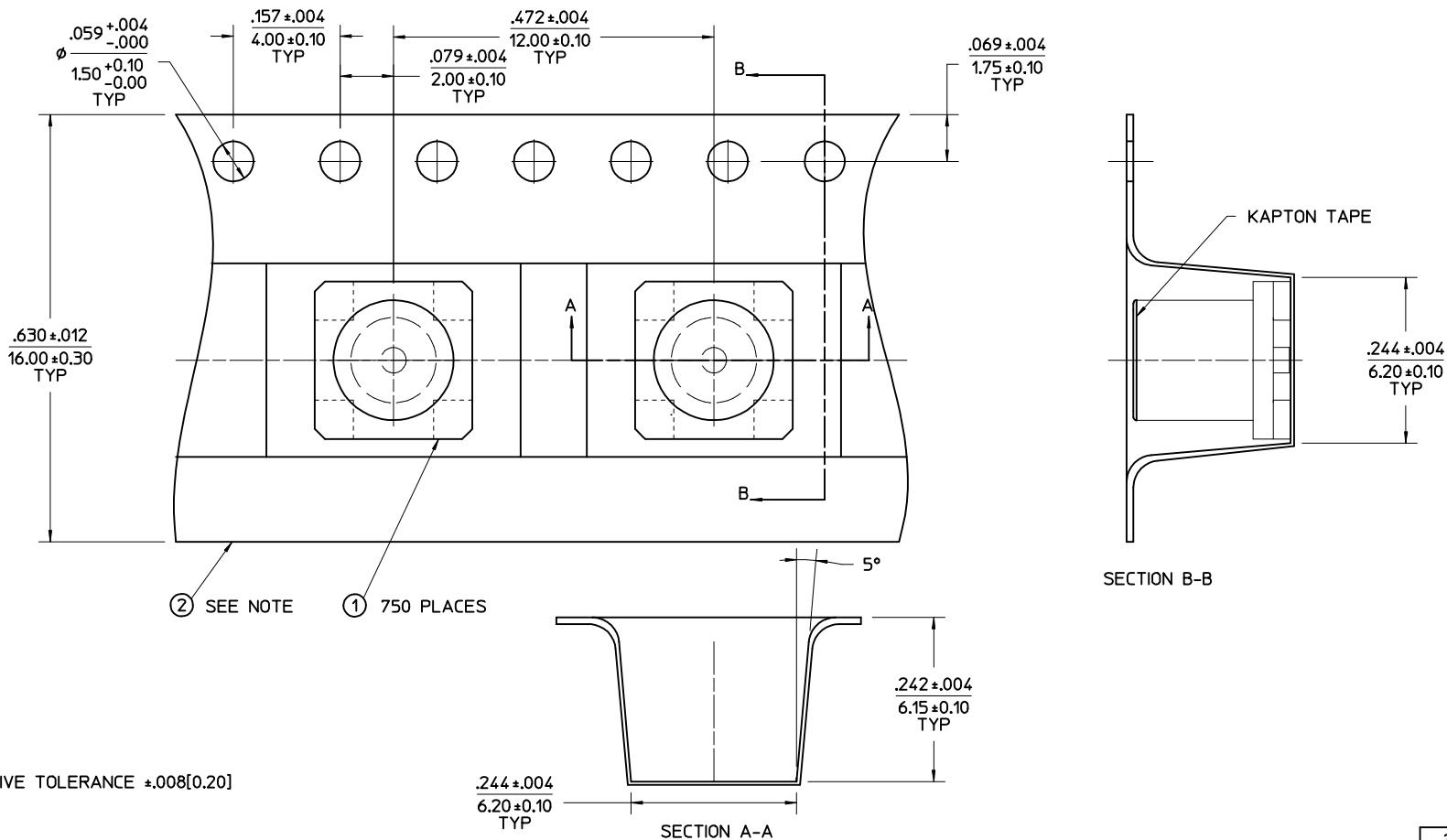
SCALE	DESIGN UNITS
	<input type="checkbox"/> mm <input checked="" type="checkbox"/> INCH
DRAWN BY & DATE	
LMB 11/09/00	
CHECKED BY & DATE	
SSS 11/09/00	
APPROVED BY & DATE	
GMH 11/09/00	
DESIGN REVIEW	
XXX 00/00/00	

DIMENSIONS:		1	A3
<input type="checkbox"/> mm	<input checked="" type="checkbox"/> INCH	SHT	REV
<input type="checkbox"/> mm ONLY		REVISE ON CAD ONLY	
TITLE:			
MCX, PCB/SMT JACK, 50 OHMS			
MCX-J/PCB/SMT			
MOLEX INCORPORATED			
MATERIAL NO.	DRAWING NO.	SHEET NO.	
SEE NOTE	SD-73415-169	1 of 2	
THIS DRAWING CONTAINS INFORMATION THAT IS PROPRIETARY TO MOLEX INCORPORATED AND SHOULD NOT BE USED WITHOUT WRITTEN PERMISSION.			SIZE
			B

MATERIALS AND FINISHES

PART # 73415-1692

MOUNTING TAPE
MCX JACK 73415-1691



NOTE:

10 PITCHES CUMULATIVE TOLERANCE $\pm .008[0.20]$

② SEE NOTE ① 750 PLACES

A3	SEE SHEET 1	DESCRIPTION	UNLESS OTHERWISE SPECIFIED DIMS ARE INCHES AND ANGLES ARE DEGREES. 1. $\sqrt{63}$ ALL OVER. 2. NO CHATTER OR NON-UNIFORM SURFACE FINISH ALLOWED. 3. PARTS TO BE FREE OF BURRS & SHARP EDGES .005 MAX BREAK. 4. EXTERNAL THREADS TO BE ROLLED OR SINGLE POINT. 5. DIAMETERS TO BE CONCENTRIC WITHIN .003 TIR.	QUALITY SYMBOLS MAJOR ∇ CRITICAL ∇	GENERAL TOLERANCES: (UNLESS SPECIFIED)		SCALE	DESIGN UNITS <input type="checkbox"/> mm <input checked="" type="checkbox"/> INCH	THIRD ANGLE PROJECTION	DIMENSIONS:		2	A3
					mm	INCH				<input type="checkbox"/> mm <input checked="" type="checkbox"/> INCH	<input type="checkbox"/> mm <input checked="" type="checkbox"/> INCH	SHT	REV
					4 PLACES \pm _____ $\pm .0005$		DRAWN BY & DATE TEF 04/19/99		TITLE: MCX, PCB/SMT JACK, 50 OHMS MCX-J/PCB/SMT				
					3 PLACES \pm _____ $\pm .005$		CHECKED BY & DATE DHG 04/19/99						
					2 PLACES \pm _____ $\pm .01$		APPROVED BY & DATE GMH 04/19/99						
					1 PLACE \pm _____ $\pm .1$		DESIGN REVIEW XXX 00/00/00		MATERIAL NO. SEE NOTE	DRAWING NO. SD-73415-169		SHEET NO. 2 of 2	
					ANGULAR: $\pm 2^\circ$		THIS DRAWING CONTAINS INFORMATION THAT IS PROPRIETARY TO MOLEX INCORPORATED AND SHOULD NOT BE USED WITHOUT WRITTEN PERMISSION.						
					DRAFT WHERE APPLICABLE MUST REMAIN WITHIN DIMENSIONS								