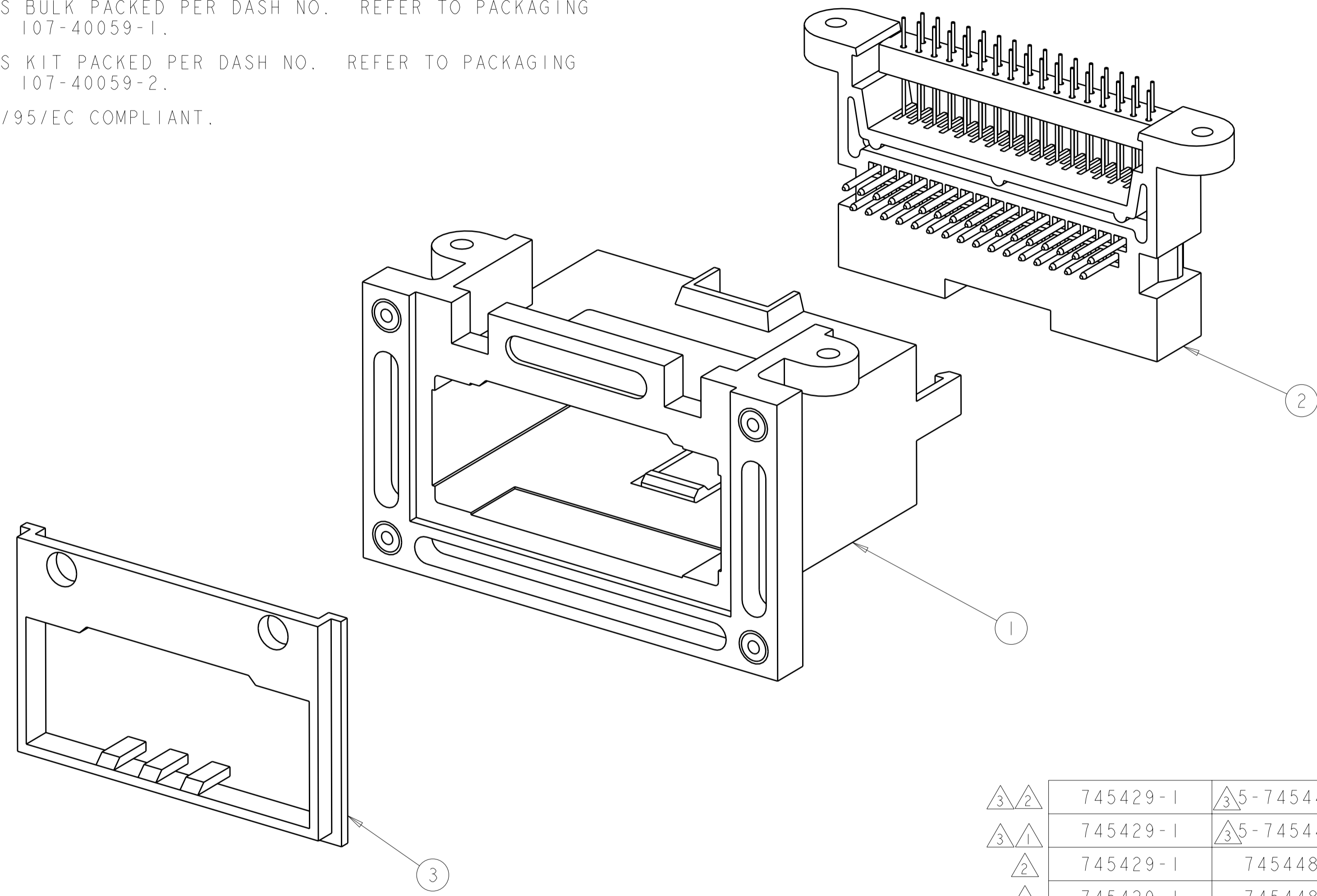


THIS DRAWING IS UNPUBLISHED. RELEASED FOR PUBLICATION 20
 © COPYRIGHT 20 BY TYCO ELECTRONICS CORPORATION. ALL RIGHTS RESERVED.

LOC	DIST	REVISIONS			
P	LTR	DESCRIPTION	DATE	DWN	APVD
	E	REDRAWN PER OG3C-0050-01	04APR2001	RB	JO
	E1	ECO-06-12417	04OCT2006	MB	JO

- ① COMPONENTS BULK PACKED PER DASH NO. REFER TO PACKAGING SPEC. NO. 107-40059-1.
- ② COMPONENTS KIT PACKED PER DASH NO. REFER TO PACKAGING SPEC. NO. 107-40059-2.
- ③ ROHS 2002/95/EC COMPLIANT.



③ ②	745429-1	③ 5-745448-1	745443-1	5-745539-5	
③ ①	745429-1	③ 5-745448-1	745443-1	5-745539-1	
②	745429-1	745448-1	745443-1	745539-5	
①	745429-1	745448-1	745443-1	745539-1	
③	COVER, BACK PANEL MOUNT QTY = 1	②	PLUG ASSY QTY = 1	①	ASSY, HOLDER BODY QTY = 1
					PART NUMBER

<small>THIS DRAWING IS A CONTROLLED DOCUMENT FOR TYCO ELECTRONICS CORPORATION IT IS SUBJECT TO CHANGE AND THE CONTROLLING ENGINEERING ORGANIZATION SHOULD BE CONTACTED FOR THE LATEST REVISION.</small>		DWN R BROWN 04APR2001 CHK J OLSON 04APR2001 APVD J OLSON 04APR2001	AMP Tyco Electronics Harrisburg, PA 17105-3608
DIMENSIONS: INCHES	TOLERANCES UNLESS OTHERWISE SPECIFIED: 0 PLC ±- 1 PLC ±0.1 2 PLC ±0.02 3 PLC ±0.005 4 PLC ±0.0005 ANGLES ±- FINISH -	PRODUCT SPEC - APPLICATION SPEC - WEIGHT -	NAME COMPLETE HOLDER ASSY FOR AMPLIMITE CASSETTE CONNECTOR SIZE A2 CAGE CODE 00779 DRAWING NO. 745539 RESTRICTED TO -
MATERIAL -		CUSTOMER DRAWING	SCALE 2:1 SHEET 1 OF 1 REV E1