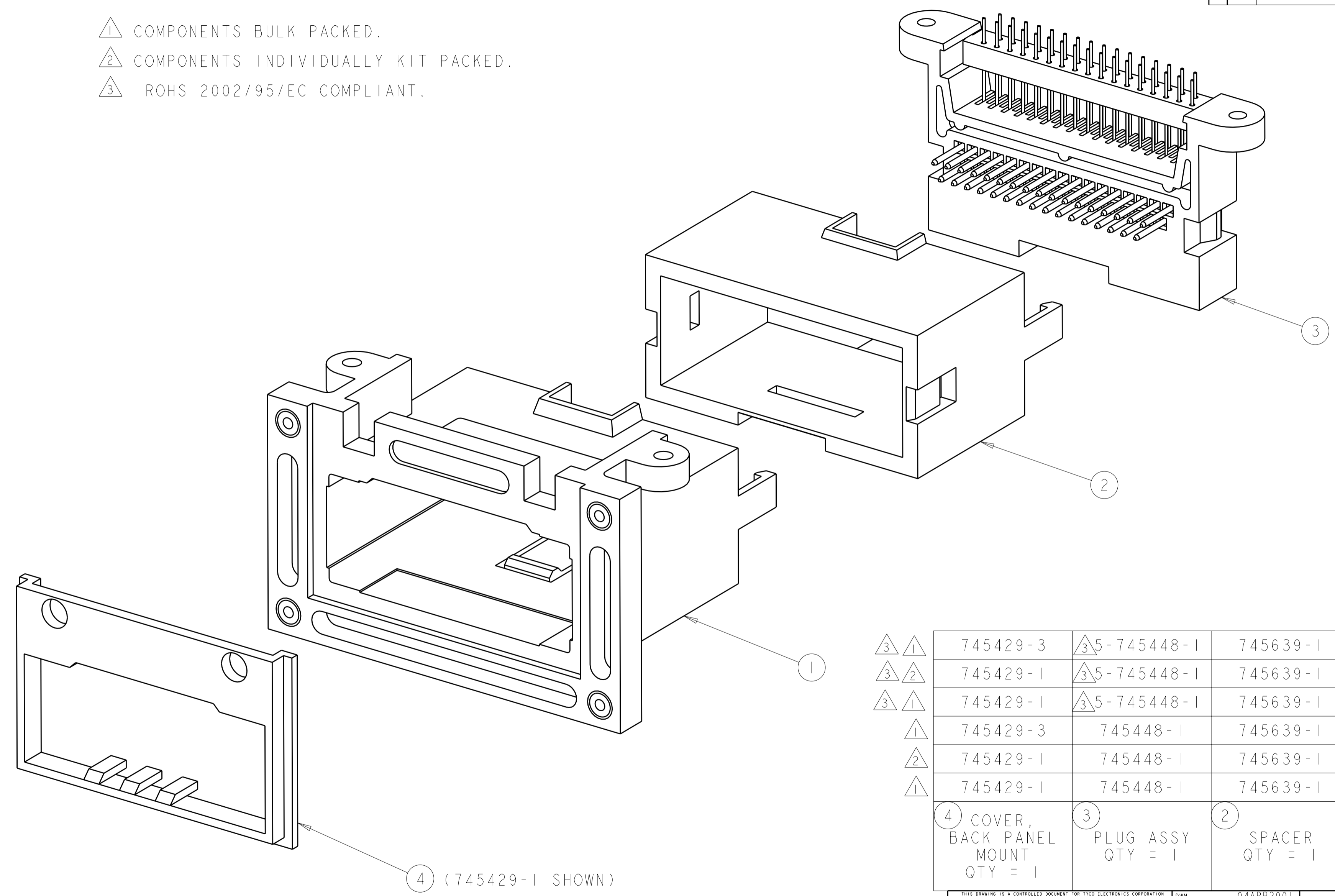


THIS DRAWING IS UNPUBLISHED. RELEASED FOR PUBLICATION 20
 © COPYRIGHT 20 BY TYCO ELECTRONICS CORPORATION. ALL RIGHTS RESERVED.

LOC	DIST	REVISIONS			
P	LTR	DESCRIPTION	DATE	DWN	APVD
AD	00				
B		REDRAWN PER 0G3C-0050-01	04APR2001	RB	JO
C		REV PER 0G3C-0237-04	13MAY04	RB	JO
D		0G3C-0151-05	23NOV2005	RB	JO
DI		ECO-06-12417	04OCT2006	MB	JO

- ① COMPONENTS BULK PACKED.
- ② COMPONENTS INDIVIDUALLY KIT PACKED.
- ③ ROHS 2002/95/EC COMPLIANT.



③ ①	745429-3	③ 5-745448-1	745639-1	745443-1	5-745641-3
③ ②	745429-1	③ 5-745448-1	745639-1	745443-1	5-745641-2
③ ①	745429-1	③ 5-745448-1	745639-1	745443-1	5-745641-1
①	745429-3	745448-1	745639-1	745443-1	745641-3
②	745429-1	745448-1	745639-1	745443-1	745641-2
①	745429-1	745448-1	745639-1	745443-1	745641-1
④	COVER, BACK PANEL MOUNT QTY = 1	③	PLUG ASSY QTY = 1	②	SPACER QTY = 1
				①	ASSY, HOLDER BODY QTY = 1
					PART NUMBER

④ (745429-1 SHOWN)

THIS DRAWING IS A CONTROLLED DOCUMENT FOR TYCO ELECTRONICS CORPORATION. IT IS SUBJECT TO CHANGE AND THE CONTROLLING ENGINEERING ORGANIZATION SHOULD BE CONTACTED FOR THE LATEST REVISION.

DWN	R. BROWN	04APR2001
CHK	J. OLSON	04APR2001
APVD	J. OLSON	04APR2001

AMP Tyco Electronics
Harrisburg, PA 17105-3608

NAME: KIT, LONG HOLDER ASSY, AMPLIMITE CASSETTE CONN. SYSTEM

SIZE	CAGE CODE	DRAWING NO	RESTRICTED TO
A2	00779	745641	-

CUSTOMER DRAWING SCALE: 2:1 SHEET 1 OF 1 REV: DI