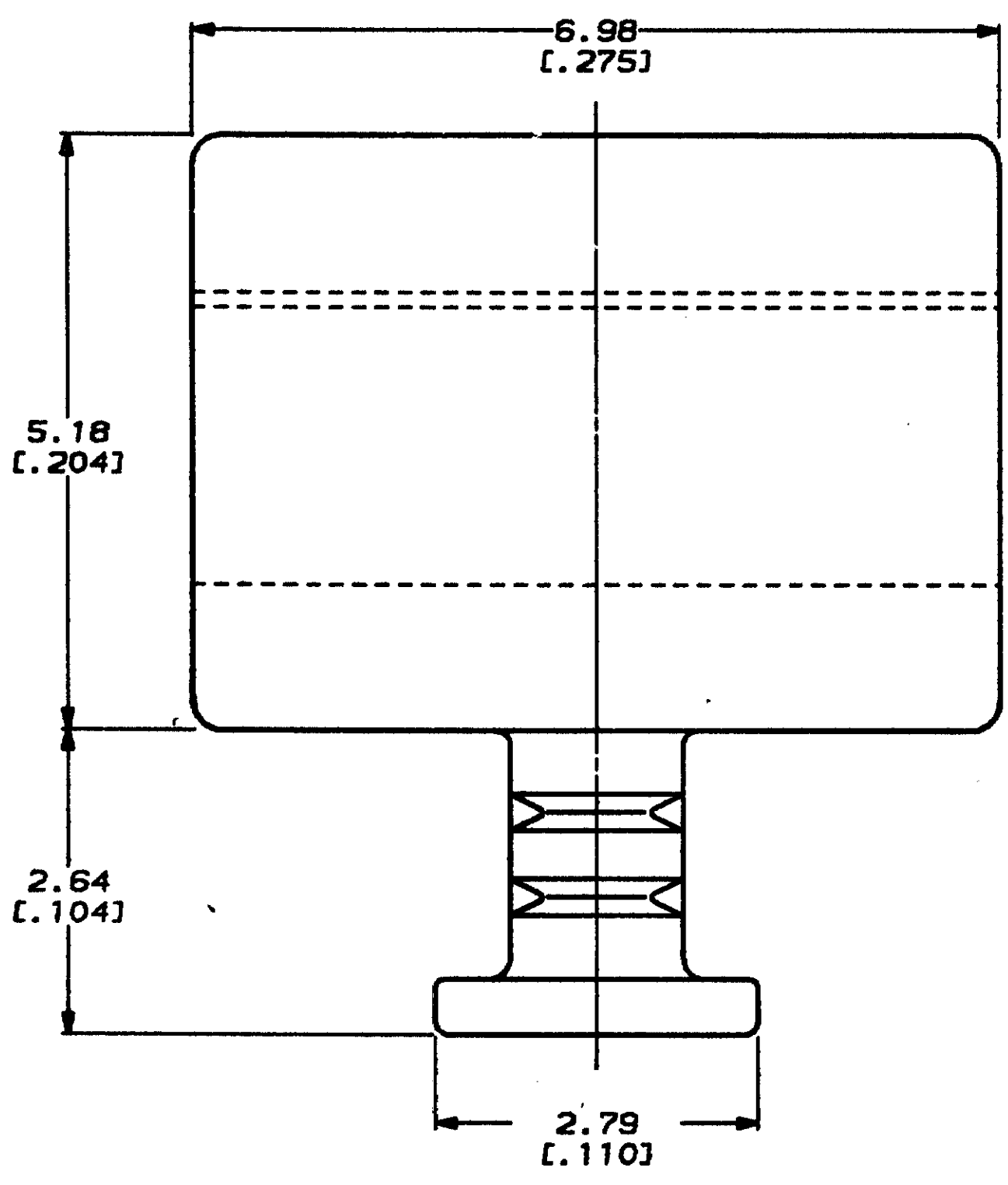
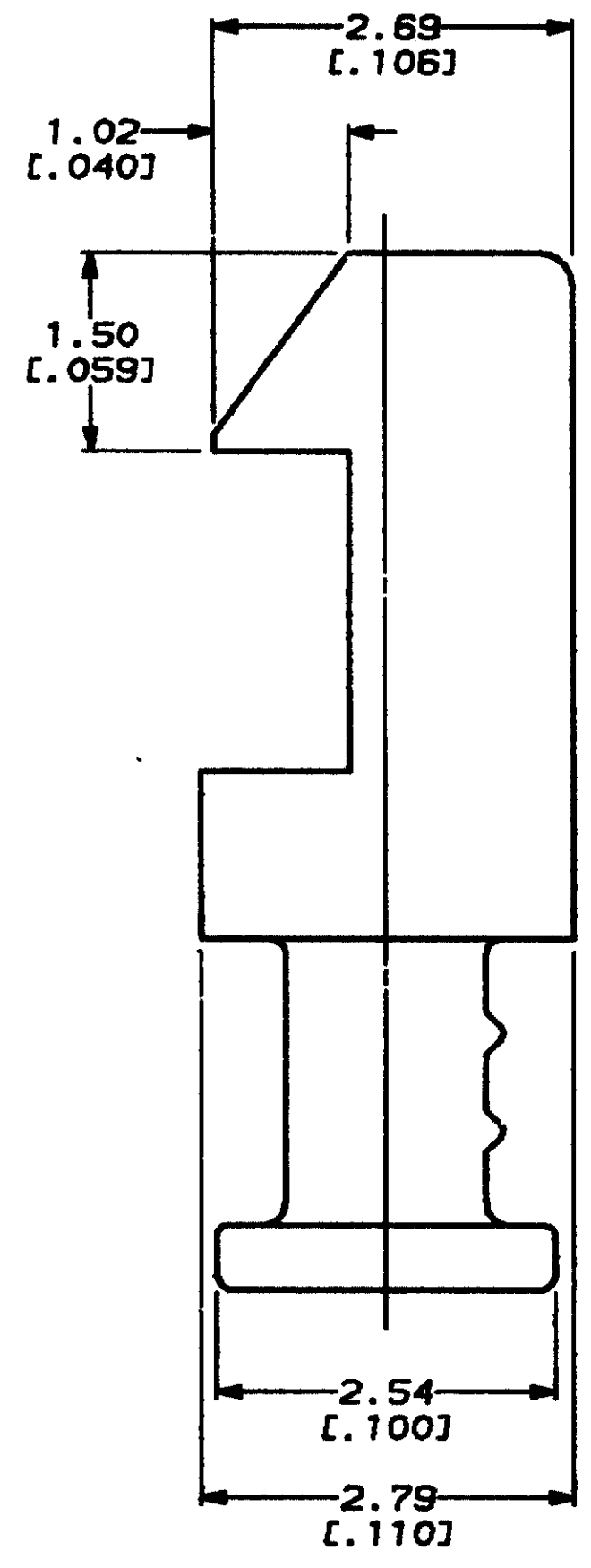


THIS DRAWING IS UNPUBLISHED. RELEASED FOR PUBLICATION .18
 © COPYRIGHT 19 BY AMP INCORPORATED. ALL INTERNATIONAL RIGHTS RESERVED.

REV	DATE	BY	DESCRIPTION	DATE	APPD
8	BD	39	0 RELEASED	06/26/90	-



749900-2

PART NO

DO NOT SCALE PRINT.
 UNLESS SPECIFIED
 DIMENSIONS IN mm [INCHES]
 TOLERANCES ON:
 2 PLC DEC ± 0.25 [0.010]
 3 PLC DEC ± -
 ANGLES ± -

MATERIAL
 ZINC

FINISH
 5.08µm [0.000200] MIN
 NICKEL OVER 7.62µm
 [0.000300] MIN COPPER

DR 06/26/90
 S. WELDON

CHK - R. Stone 6-26-90

APPD - Bob Dyer 6/24/90

APPD - J. Dorian 6/27/90

PRODUCT SPEC -

APPLICATION SPEC -

WEIGHT -

AMP AMP Incorporated
 Harrisburg, PA 17105-3608

NAME
 LATCHING BLOCK, .050 Series,
 AMPLIMITE™

SIZE	CAGE CODE	DRAWING NO
©	00779	749900
SCALE	20:1	SHEET 1 OF 1

METRIC