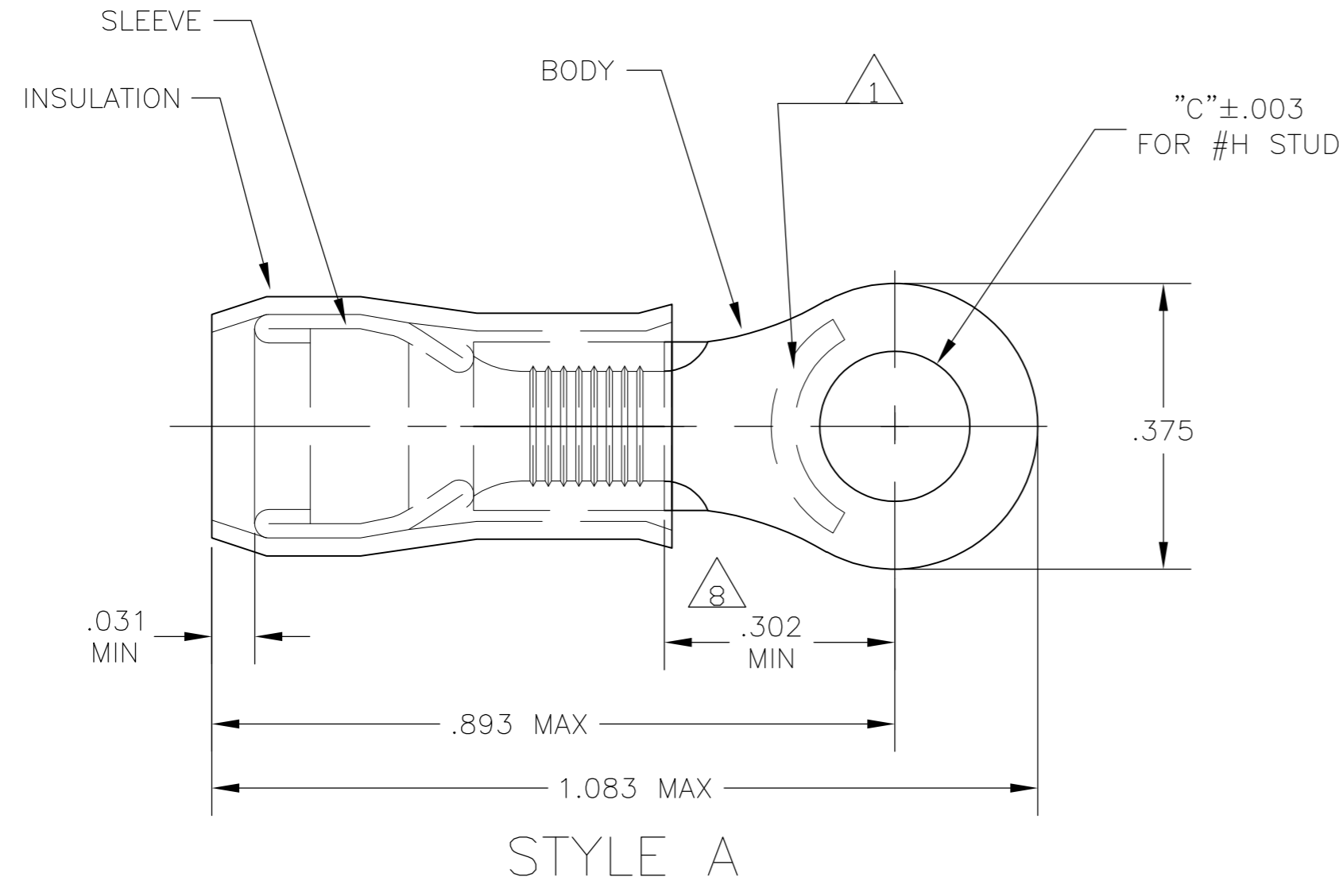
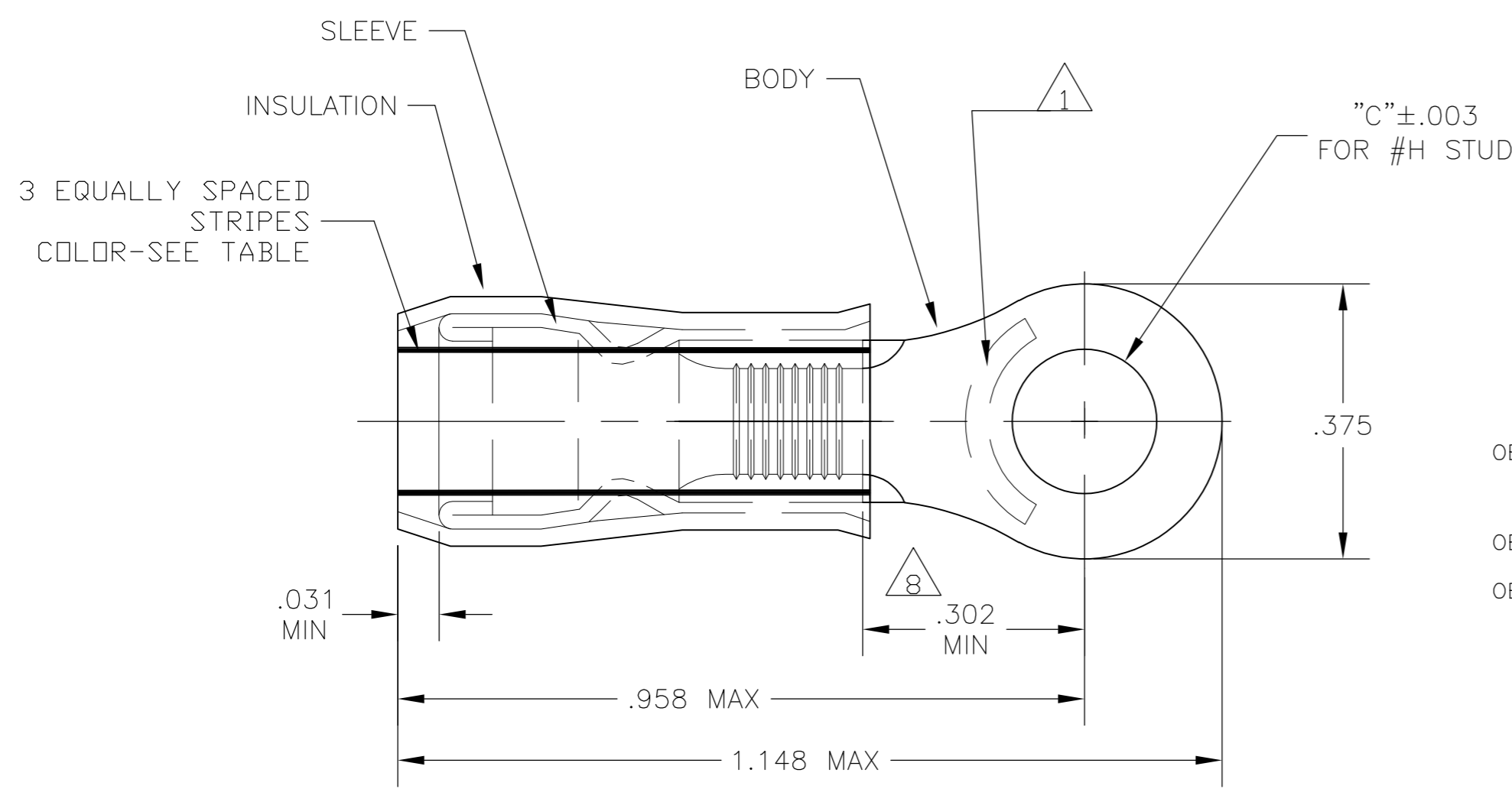


THIS DRAWING IS UNPUBLISHED. RELEASED FOR PUBLICATION
 © COPYRIGHT BY TYCO ELECTRONICS CORPORATION. ALL INTERNATIONAL RIGHTS RESERVED.

LOC	DIST	REVISIONS					
		P	LTR	DESCRIPTION	DATE	DWN	APVD
G	14	Z1		REV PER ECR 09-027414	17DEC09	JR	TM



STYLE A



STYLE B
INSULATION RESTRICTING

- 1 STAMP "AMP - SEE TABLE" APPROX AS SHOWN
- 2 WIRE INSULATION DIA: SEE TABLE
- 3 TONGUE MATERIAL THK: .039±.002
- 4 BODY: TIN PLATE .000100 MIN EXT THK PER ASTM B545
- 5 SLEEVE: TIN PLATE .000100 MIN EXT THK PER ASTM B545
- 6 SLEEVE: NICKEL PLATE PER QQ-N-290
- 7 BODY & SLEEVE- CU PER ASTM B152 INSULATION - NYLON PER ASTM D4066 COLOR - YELLOW
- 8 APPLIES FROM EDGE OF METAL WIRE BARREL TO CENTER OF STUD HOLE.
- 9 MEETS MS25036-112, CLASS 1 & 2
- 10 MEETS MS25036-112, CLASS 2
- 11 MEETS M7928/1-58, CLASS 1 & 2
- 12 MEETS M7928/1-65, CLASS 1 & 2
- 13 MEETS M7928/1-56, CLASS 1 & 2
- 14 MEETS M7928/1-63, CLASS 1 & 2
- 15 SUPERSEDED BY 2-36161-5

QTY	PACKAGE TYPE	"H"	"C"	STAMPING	WIRE INSUL DIA	WIRE SIZE	STRIPE COLOR	STYLE	BODY FINISH	SLEEVE FINISH	PART NO	
OBSOLETE	50	LOOSE PIECE, BOX	#10	.197	12	.095-.200	12	YELLOW	B	6	9-36161-2	
	50	LOOSE PIECE, BOX	#10	.197	12-10	.150-.230	12-10	--	A	5	8-36161-2	
OBSOLETE	500	ON TAPE, LG. BOX	#10	.197	12-10	.150-.230	12-10	--	A	5	3-36161-1	
OBSOLETE	2500	ON TAPE & REEL	#6	.145	10	.119-.200	10	BROWN	B	6	3-36161-0	
15	2500	ON TAPE & REEL	#6	.145	12	.095-.200	12	YELLOW	B	6	2-36161-9	
	2500	ON TAPE & REEL	#10	.197	12	.119-.200	12	BROWN	B	6	12	2-36161-8
	---	LOOSE PIECE	#6	.145	10	.119-.200	10	BROWN	B	6	14	2-36161-6
	---	LOOSE PIECE	#6	.145	12	.095-.200	12	YELLOW	B	6	13	2-36161-5
	---	LOOSE PIECE	#10	.197	10	.119-.200	10	BROWN	B	6	12	2-36161-4
	---	LOOSE PIECE	#10	.197	12	.095-.200	12	YELLOW	B	6	11	2-36161-3
	2500	ON TAPE & REEL	#10	.197	12-10	.150-.230	12-10	--	A	5	10	2-36161-2
	---	LOOSE PIECE	#10	.197	12-10	.150-.230	12-10	--	A	5	9	36161

CUSTOMER SERVICE SYSTEMS		MAX RECOMMENDED OPERATING TEMPERATURE: 105°C MAX	THIS DRAWING IS A CONTROLLED DOCUMENT.		DWN JR RUTH 17DEC09	Tyco Electronics Corporation Harrisburg, PA 17105-3608	
FOR ADDITIONAL PRODUCT INFORMATION OR COPIES OF DRAWINGS AND TECHNICAL DOCUMENTS	PRODUCT INFORMATION CENTER 1-800-522-6752	VOLTAGE RATING: 300 VOLT MAX	DIMENSIONS: INCHES	TOLERANCES UNLESS OTHERWISE SPECIFIED: 0 PLC ± - 1 PLC ± - 2 PLC ± - 3 PLC ± .008 4 PLC ± -	CHK T MICHIELUTTI 17DEC09	NAME T MICHIELUTTI	
FOR APPLICATION TOOLING INFORMATION	TOOLING ASSISTANCE CENTER 1-800-722-1111	CIRCULAR MIL AREA: 2.62-6.64mm² [5, 180-13, 100] STRANDED OR SOLID	MATERIAL		APVD T MICHIELUTTI 17DEC09	PRODUCT SPEC	
FOR ORDER ENTRY	1-800-526-5142	FINISH		APPLICATION SPEC		TERMINAL, RING TONGUE, PIDG WIRE SIZE: 12-10 AWG	
THIS DRAWING IS A CONTROLLED DOCUMENT FOR AMP INCORPORATED. IT IS SUBJECT TO CHANGE AND THE CONTROLLING ENGINEERING ORGANIZATION SHOULD BE CONTACTED FOR THE LATEST REVISION.		MATERIAL		WEIGHT		SIZE A2	CAGE CODE 00779
				CUSTOMER DRAWING		DRAWING NO C-36161	RESTRICTED TO
				SCALE 5:1		SHEET 1 of 1	REV Z1