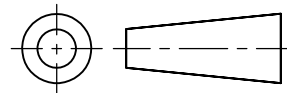


DO NOT SCALE

METRIC

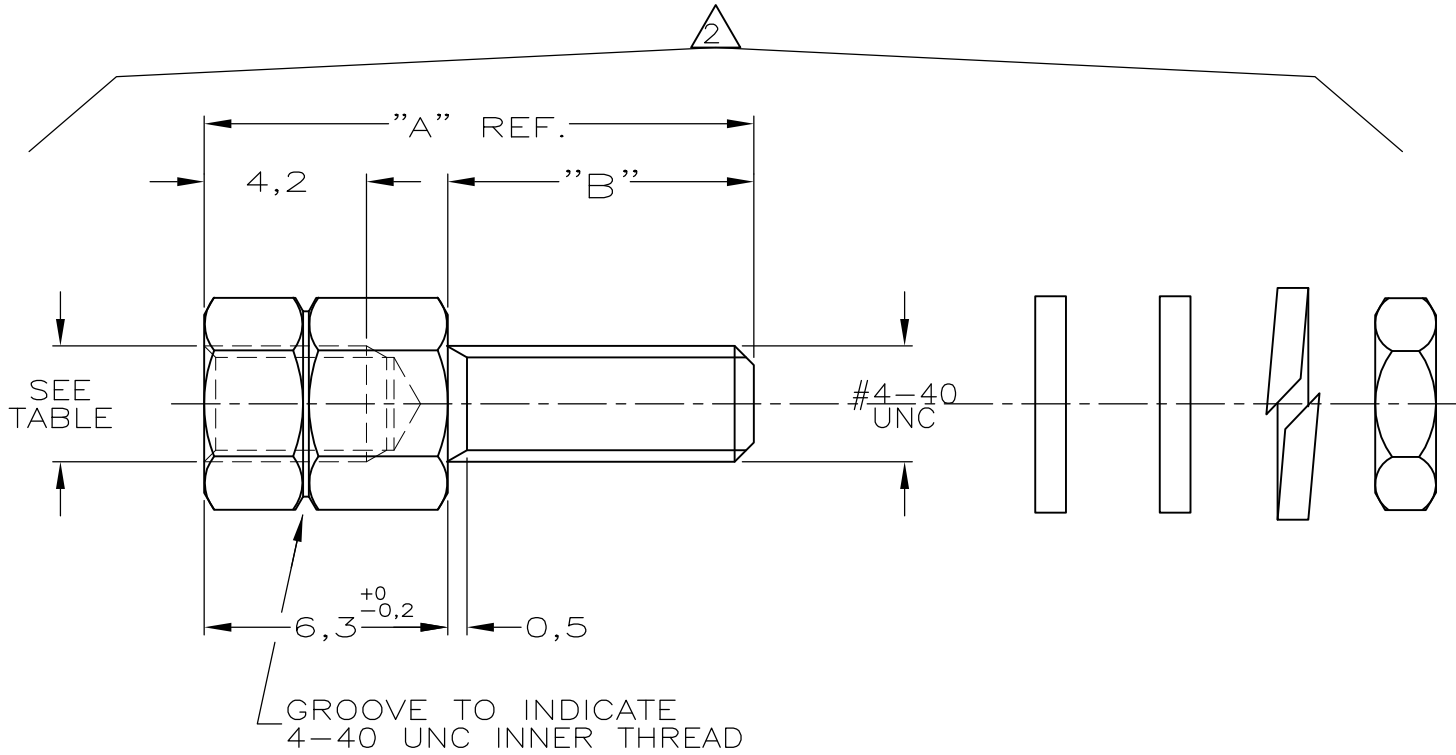
THIRD ANGLE
PROJECTION



DIMENSIONS IN mm

NOTES:

- 1 PARTS PACKED UNASSEMBLED
- 2 THIS KIT CONTAINS TWO SCREWLOCK ASSEMBLIES.
- 3 FEMALE SCREWLOCK :BRASS
NUT AND RINGS :STEEL
- 4 OBSOLETE PARTS: OBSOLETE CIS STREAMLINING PER D.RENAUD/D.SINISI



M3	11,0	17,2	TINPLATED	BRASS	828347-6	4		
4-40 UNC	11,0	17,2			828347-5			
M3	9,7	15,9			828347-4			
M3	5,0	11,2			828347-3	4		
4-40 UNC	9,7	15,9			828347-2			
4-40 UNC	5,0	11,2			828347-1			
THREAD	DIM "B"	DIM "A"	FINISH	MATERIAL	ORDERNUMBER			
-	-	-	CUSTOMER DRAWING			FOR REFERENCE ONLY WILL NOT BE UPDATED		
-	-	-	© COPYRIGHT 19 - BY AMP HOLLAND B.V. ALL INTERNATIONAL RIGHTS RESERVED.AMP PRODUCTS MAY BE COVERED BY U.S. AND FOREIGN AND/OR PATENTS PENDING. THIS DRAWING IS UNPUBLISHED RELEASED FOR PUBLICATION ,19					
-	-	-			AMP HOLLAND B.V. 's-Hertogenbosch, The Netherlands.			
B1	REVISED PER ECO-09-023313	KK AEG			130CT09	NAME		
B	H-9720	S.M. C.V.T	21-04-92	AMPLIMITE, KIT, FEMALE SCREWLOCK ASSEMBLY				
LTR.	REVISION RECORD	DR. CHK.	DATE					
DR.:	D.KESSLER.	CHK.:	C.v.TILBURG.	APP.:	L.v.SOEST.	DWG.No.	REV.LTR.	SHEET
DATE:	02-04-91	DATE:	23-04-91	DATE:	25-04-91	C-828347	B1	1 OF 1
						A4		