



Series 537 Universal PLCC ZIF Test Socket "Live Bug" Type

FEATURES

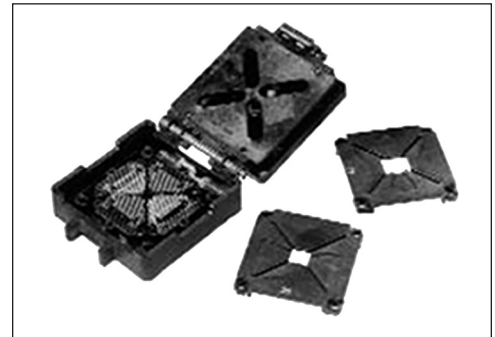
- This Universal PLCC ZIF (zero-insertion-force) Test Socket will take seven sizes of PLCC footprints with Aries' insert plate, P/N XX-537-20, Data Sheet 10012, available separately.
- The PLCC is inserted "live bug" (pins down) into the position over the bed; the top half of the clamshell is closed for testing, programming etc. The solder tail pins on the bottom are the ends of the contacts or "bed," thus permitting mounting to a PC board or into Aries' PLCC-to-PGA Adaptor socket, P/N 1109283, Data Sheet 10014.
- Can also be plugged into Aries' Receptacle, P/N 84-637-10, Data Sheet 10013.
- Accepts JEDEC MO-047AA-AH PLCC's and JEDEC MO-044AA-AB Ceramics with 20, 28, 44, 52, 68, or 84 square leads, as well as JEDEC MS-016 PLCC's with 32 rectangular leads.

SPECIFICATIONS

- Plastic: black UL 94V-0 glass-filled Polyphenylene Sulfide (PPS)
- Contact Pin: Beryllium Copper Alloy 172 HT
- Contact Plating: 12 μ [0.31 μ m] min. Gold per MIL-G-45204 over 100 μ [2.54 μ m] min. Nickel per SAE-AMS-QQ-N-290 over 20 μ [0.51 μ m] Copper per MIL-C-14550
- Hardware: Stainless Steel
- Operating Temperature: 85°F to 257°F [-65°C to 125°C]
- Life Cycle: 10,000 insertions max.

MOUNTING CONSIDERATIONS

- Suggested PCB Hole Size: 0.032 \pm 0.002 [0.81 \pm 0.05] dia.
- See Data Sheet 10011 for additional information



NOTE: Aries specializes in custom design and production. In addition to the standard products shown on this page, special materials, platings, sizes, and configurations can be furnished, depending on quantities. Aries reserves the right to change product specifications without notice.

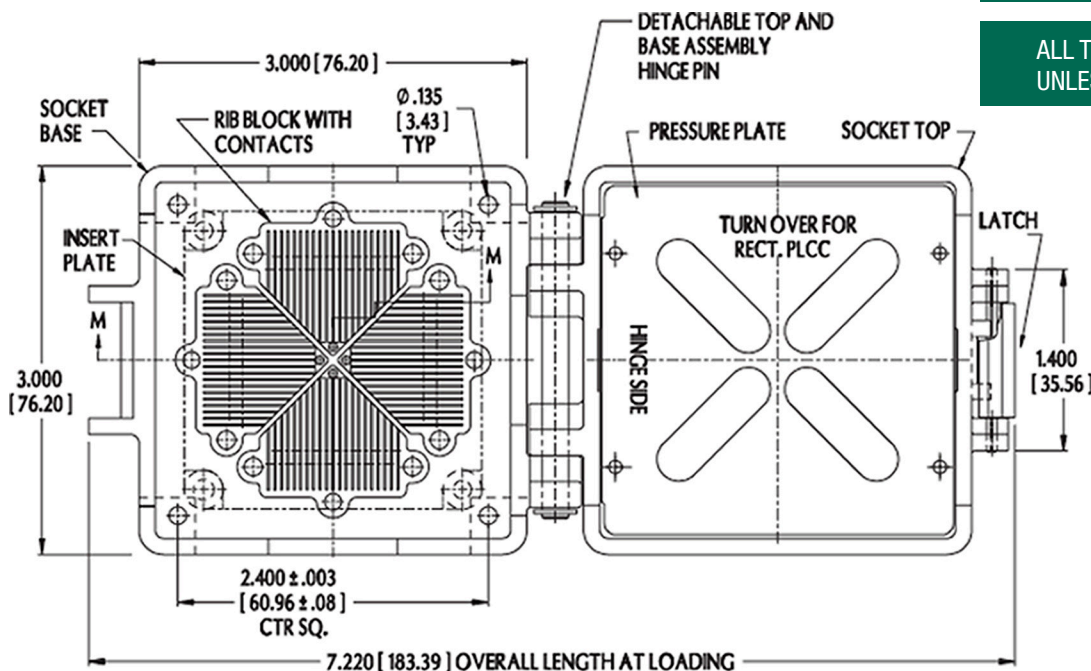
ORDERING INFORMATION

Specify P/N 84-537-21 when ordering or P/N 84-537-21-7 when ordering with all seven insert plates
See Data Sheet...

10012 for Additional Insert Plates

ALL DIMENSIONS: INCHES [MILLIMETERS]

ALL TOLERANCES: \pm 0.005 [0.13]
UNLESS OTHERWISE SPECIFIED

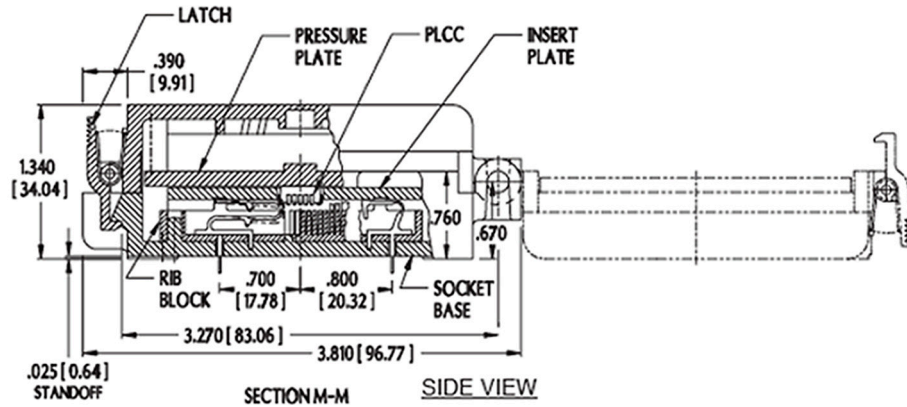


Bristol, PA 19007-6810 USA
TEL (215) 781-9956 • FAX (215) 781-9845
WWW.ARIESELEC.COM • INFO@ARIESELEC.COM

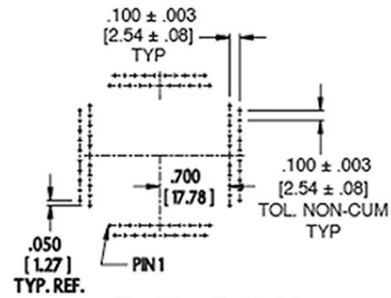
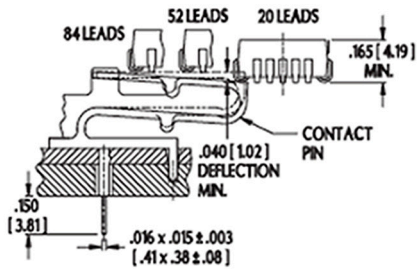




Series 537 Universal PLCC ZIF Test Socket "Live Bug" Type



CONTACT DETAIL



Top View Footprint
84 Pin Terminals

