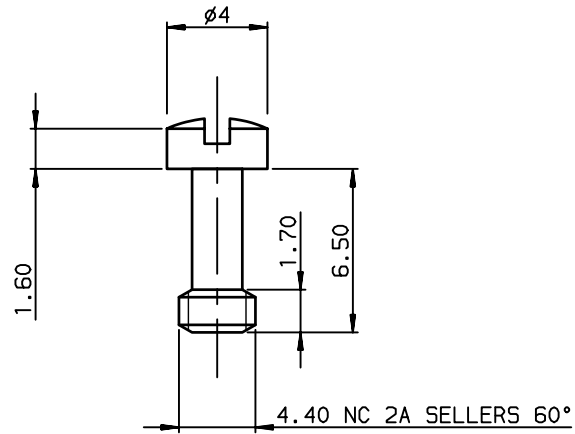
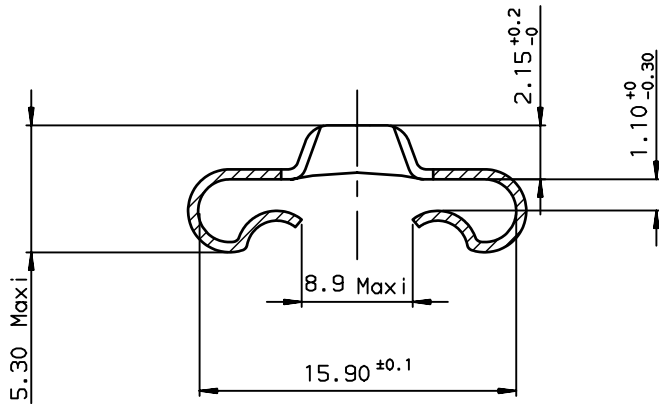
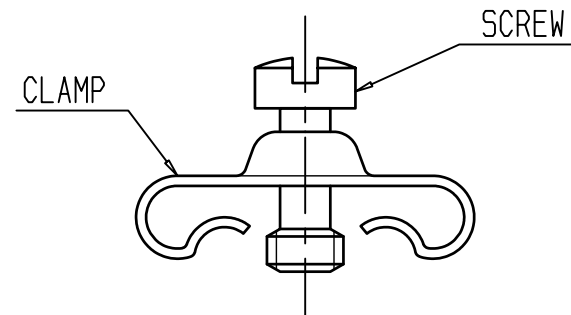


**NOTES**

Pieces assembly  
 Packaging : per 100 piece  
 Material : steel  
 Plating :yellow chromate cadmium  
 Thread : UNC 4.40



**ASSEMBLY VIEW**



Part Number **863003A**

European Views

www.fciconnect.com		surface ISO 1302 ✓	tolerance std ISO 406 ISO 1101	projection ⊕	mm																																											
TOLERANCES UNLESS OTHERWISE SPECIFIED																																																
Dr	JOUBERT	1998/03/27	ANGULAR	0.X ±0.1	size A3																																											
Eng	M. PESSON	1998/03/27	LINEAR	0.XX ±0.1	Scale 5																																											
Chr	M. PESSON	1998/03/27	0.XX' ±2'	0.XXX ±0.1	ECN LS09-0006																																											
Appr	M. PESSON	1998/03/27	Product family D-SUB		Spec ref -																																											
<table border="1"> <thead> <tr> <th>rev</th> <th>ecn no</th> <th>dr</th> <th>date</th> </tr> </thead> <tbody> <tr> <td>A</td> <td>-</td> <td>SJO</td> <td>1998/03/27</td> </tr> <tr> <td>B</td> <td>LS06-0101</td> <td>MPE</td> <td>2006/06/27</td> </tr> <tr> <td>C</td> <td>LS07-0001</td> <td>MPE</td> <td>2007/01/02</td> </tr> <tr> <td>D</td> <td>LS09-0006</td> <td>PCR</td> <td>2009/01/08</td> </tr> <tr> <td>-</td> <td>-</td> <td>-</td> <td>-</td> </tr> <tr> <td>-</td> <td>-</td> <td>-</td> <td>-</td> </tr> <tr> <td>-</td> <td>-</td> <td>-</td> <td>-</td> </tr> </tbody> </table>			rev	ecn no	dr	date	A	-	SJO	1998/03/27	B	LS06-0101	MPE	2006/06/27	C	LS07-0001	MPE	2007/01/02	D	LS09-0006	PCR	2009/01/08	-	-	-	-	-	-	-	-	-	-	-	-	<table border="1"> <tr> <td rowspan="2"> </td> <td colspan="2"> <b>MALE SCEW LOCKS</b> </td> <td rowspan="2">                 dwg no  <b>C01-8655-0710</b> </td> <td rowspan="2">                 Rev.  <b>D</b> </td> </tr> <tr> <td colspan="2">                 SHELL 50 D SUB ACCESSORIES             </td> </tr> <tr> <td colspan="3">                 catalog no             </td> <td colspan="2">                 CUSTOMER sheet 1 of 1             </td> </tr> </table>			<b>MALE SCEW LOCKS</b>		dwg no <b>C01-8655-0710</b>	Rev. <b>D</b>	SHELL 50 D SUB ACCESSORIES		catalog no			CUSTOMER sheet 1 of 1	
rev	ecn no	dr	date																																													
A	-	SJO	1998/03/27																																													
B	LS06-0101	MPE	2006/06/27																																													
C	LS07-0001	MPE	2007/01/02																																													
D	LS09-0006	PCR	2009/01/08																																													
-	-	-	-																																													
-	-	-	-																																													
-	-	-	-																																													
	<b>MALE SCEW LOCKS</b>		dwg no <b>C01-8655-0710</b>	Rev. <b>D</b>																																												
	SHELL 50 D SUB ACCESSORIES																																															
catalog no			CUSTOMER sheet 1 of 1																																													

Copyright FCj