



## General Specifications

### Allowable Ambient Temperature Range:

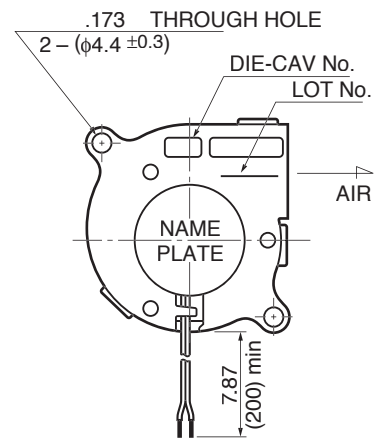
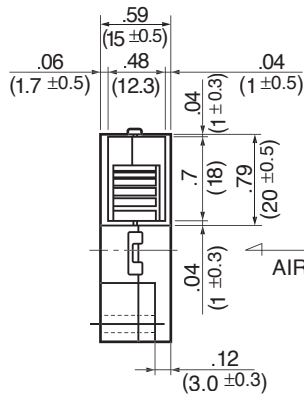
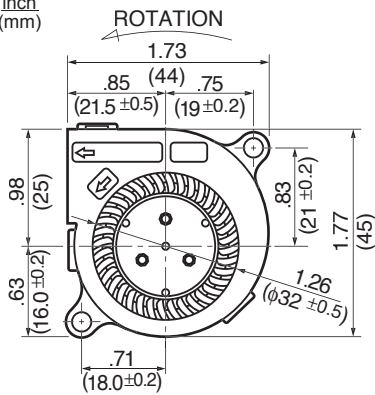
- B50 Class: -10°C ~ +60°C (Operating)
- B30 ~ 40 Class: -10°C ~ +70°C (Operating)
- All Class: -40°C ~ +70°C (Storage)

## Expected Life

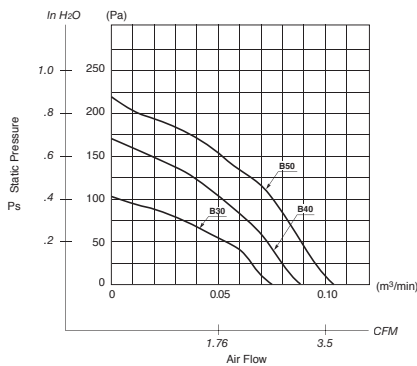
- Failure Rate: 10%
- 25°C 50,000 Hours (L00)

## Outline

Units:  $\frac{\text{inch}}{\text{mm}}$



## Characteristic Curves



## Material

- Casing : Plastic (Black) 94V-0
- Impeller : Plastic (Black) 94V-0
- Bearing : Ball Bearing
- Lead Wire : UL1061, AWG26, +Red, -Black

## Specifications

MODEL	Product No.	Rated Voltage	Operating Voltage	Current	Input Power	Speed	Max. Air Flow		Max. Static Pressure		Noise	Mass
		(V)	(V)	(A) <sup>*1</sup>	(W) <sup>*1</sup>	(min <sup>-1</sup> ) <sup>*1</sup>	CFM <sup>*1</sup>	(m <sup>3</sup> /min) <sup>*1</sup>	in H <sub>2</sub> O	(Pa) <sup>*1</sup>	(dB) <sup>*1</sup>	(g)
BM4515-04W-B30-	L00	12	10.2 ~ 13.8	0.09	1.08	5500	2.6	0.08	.40	100	35.0	25
BM4515-04W-B40-	L00	12	10.2 ~ 13.8	0.14	1.68	6500	3.0	0.09	.64	160	39.0	25
BM4515-04W-B50-	L00	12	10.2 ~ 13.8	0.19	2.28	7500	3.5	0.10	.80	200	43.0	25

Rotation: Counterclockwise

\*1: Average Values in Free Air

