



Micro Commercial Components

Micro Commercial Components  
 20736 Marilla Street Chatsworth  
 CA 91311  
 Phone: (818) 701-4933  
 Fax: (818) 701-4939

# RB751V-40

## 40 Volts Schottky Barrier Diode

### Features

- Low Voltage, Low Inductance
- High Current Rectifier Schottky Diode
- For Power Supply
- Case Material: Molded Plastic. UL Flammability Classificatio Rating 94-0 and MSL Rating 1
- Lead Free Finish/RoHS Compliant("P" Suffix designates RoHS Compliant. See ordering information)
- Marking: 3J/5

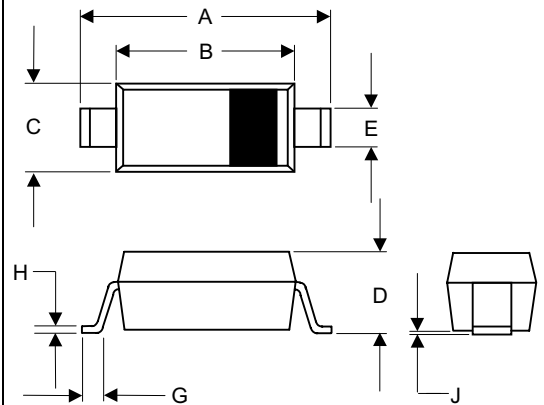
### Maximum Ratings

| Symbol    | Rating                     | Rating      | Unit |
|-----------|----------------------------|-------------|------|
| $V_{RM}$  | Peak Reverse Voltage       | 40          | V    |
| $V_R$     | DC Reverse Voltage         | 30          | V    |
| $I_O$     | Mean Rectifying Current    | 30          | mA   |
| $I_{FSM}$ | Peak Forward Surge Current | 200         | mA   |
| $T_J$     | Junction Temperature       | 125         | °C   |
| $T_{STG}$ | Storage Temperature        | -40 to +125 | °C   |

### Electrical Characteristics @ 25°C Unless Otherwise Specified

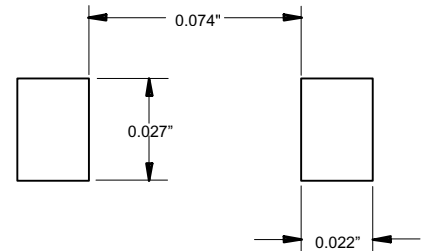
| Symbol                     | Parameter   | Min | Typ | Max  | Units |
|----------------------------|---|-----|-----|------|-------|
| <b>OFF CHARACTERISTICS</b> |   |     |     |      |       |
| $V_F$                      | Forward Voltage<br>( $I_F=1mA_{dc}$ )                 | --- | --- | 0.37 | Vdc   |
| $I_R$                      | Reverse Current<br>( $V_R=30V_{dc}$ )                 | --- | --- | 0.5  | uAdc  |
| $C_T$                      | Capacitance between Terminals<br>( $V_R=1V, f=1MHz$ ) | --- | 2   | ---  | pF    |

### SOD-323



| DIM | INCHES |      | MM   |      | NOTE |
|-----|--------|------|------|------|------|
|     | MIN    | MAX  | MIN  | MAX  |      |
| A   | .090   | .107 | 2.30 | 2.70 |      |
| B   | .063   | .071 | 1.60 | 1.80 |      |
| C   | .045   | .053 | 1.15 | 1.35 |      |
| D   | .031   | .045 | 0.80 | 1.15 |      |
| E   | .010   | .016 | 0.25 | 0.40 |      |
| G   | .004   | .018 | 0.10 | 0.45 |      |
| H   | .004   | .010 | 0.10 | 0.25 |      |
| J   | ----   | .006 | ---- | 0.15 |      |

#### SUGGESTED SOLDER PAD LAYOUT





Micro Commercial Components

## Ordering Information

|                  |                      |
|------------------|----------------------|
| Device           | Packing              |
| (Part Number)-TP | Tape&Reel;3Kpcs/Reel |

**\*\*\*IMPORTANT NOTICE\*\*\***

*Micro Commercial Components Corp* . reserves the right to make changes without further notice to any product herein to make corrections, modifications , enhancements , improvements , or other changes .  
*Micro Commercial Components Corp* . does not assume any liability arising out of the application or use of any product described herein; neither does it convey any license under its patent rights ,nor the rights of others . The user of products in such applications shall assume all risks of such use and will agree to hold *Micro Commercial Components Corp* . and all the companies whose products are represented on our website, harmless against all damages.

**\*\*\*APPLICATIONS DISCLAIMER\*\*\***

Products offer by *Micro Commercial Components Corp* . are not intended for use in Medical, Aerospace or Military Applications.